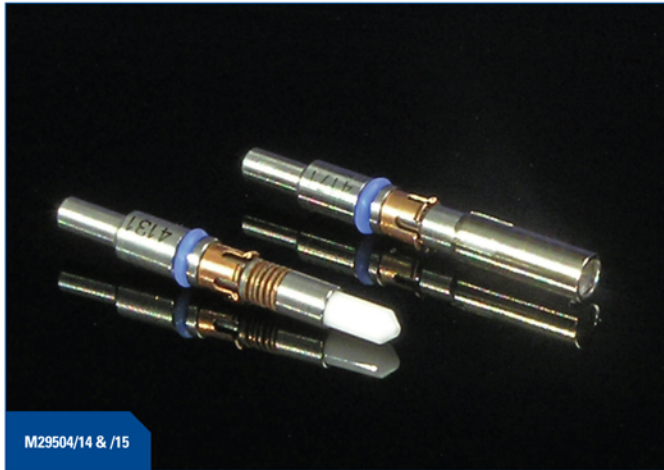


M29504/14 and /15 Military Fiber Optic Termini



M29504/14 & /15

STRAN Technologies has qualified its optical termini to the multimode requirements of MIL-PRF-29504/14 and /15 specifications and is proven to maintain or exceed the performance requirements of STRAN's M28876 and TACLight™ connector product lines. Built around a single-mode quality zirconia ferrule, STRAN's military approved M29504/14 and M29504/15 series multimode optical termini offer singlemode performance at multimode affordability. The ferrule comes chamfered and pre-radiused to minimize polish time and consumption of expensive polishing films. So as to eliminate entrapped air in the bonding adhesive, ferrules are bottom-seated into the ferrule holder for unsurpassed reliability.

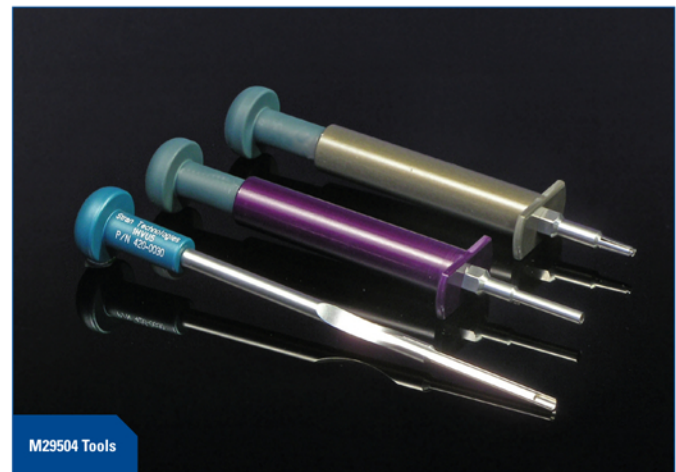
With its eleven, specially heat treated Beryllium Copper Belleville washers, the M29504/14 offers consistent terminus mating forces of between 5 – 7lbs. These mating forces have been proven to prevent optical discontinuities during demanding shock loads in excess of 1,500 g's in 3 milliseconds and vibration levels in excess of 40 g's RMS. The M29504/14 and M29504/15 are supplied with Fluorosilicone 'o'-rings for environmental sealing of the connector insert cavity for open face pressures of up to 1 atmosphere. Angle polished and keyed versions are available for singlemode

sensor applications; however these versions are not specified in the military specification and therefore are not QPL'ed.

Designed to be used with a 0.0945" hexagonal crimper, specially heat treated and gold flashed crimp sleeves capture Aramid fiber reinforced OFCC strength elements in excess of 22 pounds of tensile load.

These termini are the contacts designed for both MIL-PRF-28876 and Hermaphroditic TACLight™ connectors, where applications include:

- Navy secure data/com systems
- Deployable harsh environment systems
- Emergency restoration systems
- Video / data transmission links
- Sensor Systems



M29504 Tools

M29504/14 and /15 Military Fiber Optic Termini



MILITARY TACTICAL

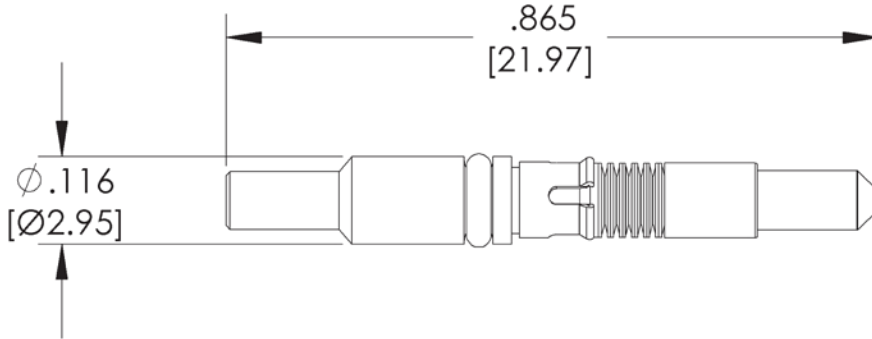
MILITARY SHIPBOARD

ENERGY

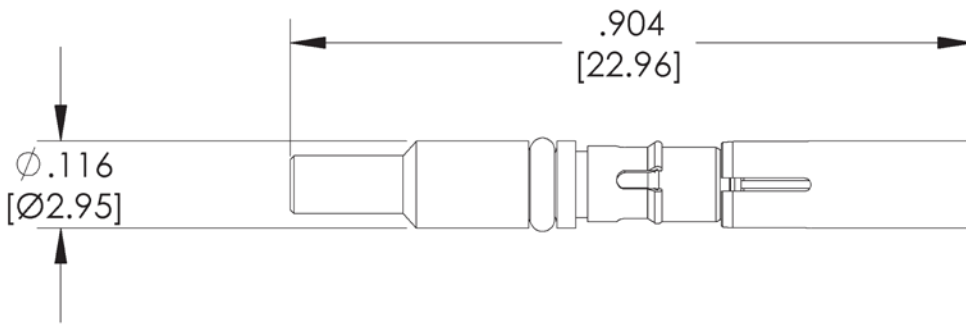
MINING

AEROSPACE

COMMERCIAL



M29504/14



M29504/15

Environmental and Optical Performance Specifications

Operating Temperature Range	40°C to +70°C (can go up to 150°C, with high T _g adhesive for bonding the fiber)
Thermal Cycling	-40°C to +65°C
Thermal Shock	-55°C to +85°C
Temperature Life	+110°C for 240 hours
Thermal Shock	40°C to +70°C per EIA-455-71
Vibration	up to 40 g's rms
Physical Shock	up to 1,500 g's @ 3ms
Mating Durability	500 cycles with average change of optical transmission of 0.13dB
Salt Spray	500 hours
Pressure Sealing	1 atmosphere
Terminus Mating Force	5 - 7 lbs Typical
Terminus Retention Force	> 22 lbs
OFCC Retention Force	> 22 lbs (dependent upon OFCC construction)
Weight	0.7g