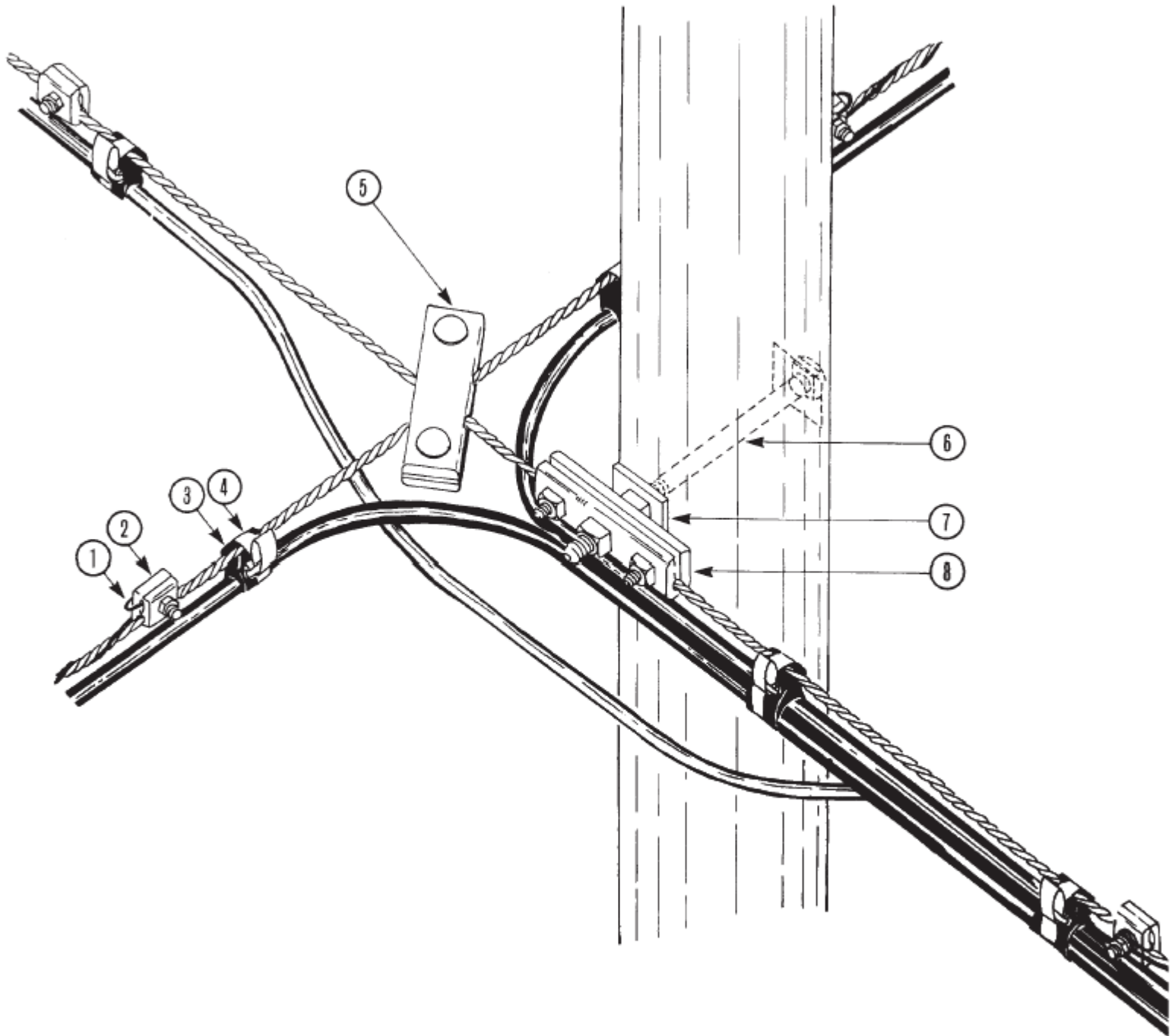


Typical Aerial Plant Applications



1 Stainless Steel Lashing Wire
2 Lashing Wire Clamp

3 Cable Spacer
4 Cable Support Strap

5 Cross Over Clamp
6 Machine Bolt

7 Square Washer
8 3 Bolt Straight Suspension Clamp