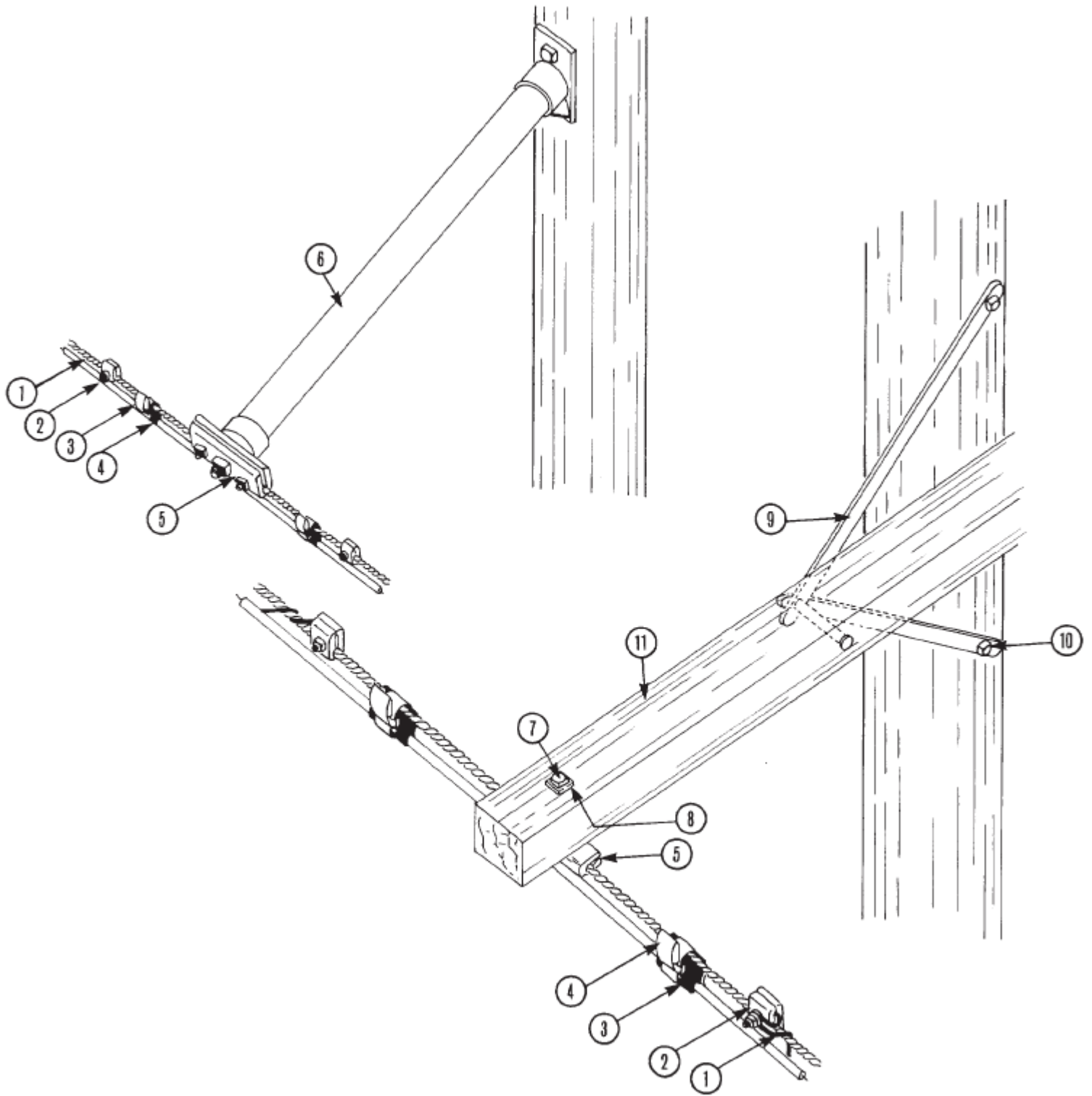


Typical Aerial Plant Applications



1 Stainless Steel Lashing Wire
2 Lashing Wire Clamp
3 Cable Spacer

4 Cable Support Strap
5 3 Bolt Suspension Clamp
6 Fiberglass or Wood Arm

7 Machine Bolt
8 Square Washer
9 Crossarm Brace

10 Lag Screw
11 Crossarm