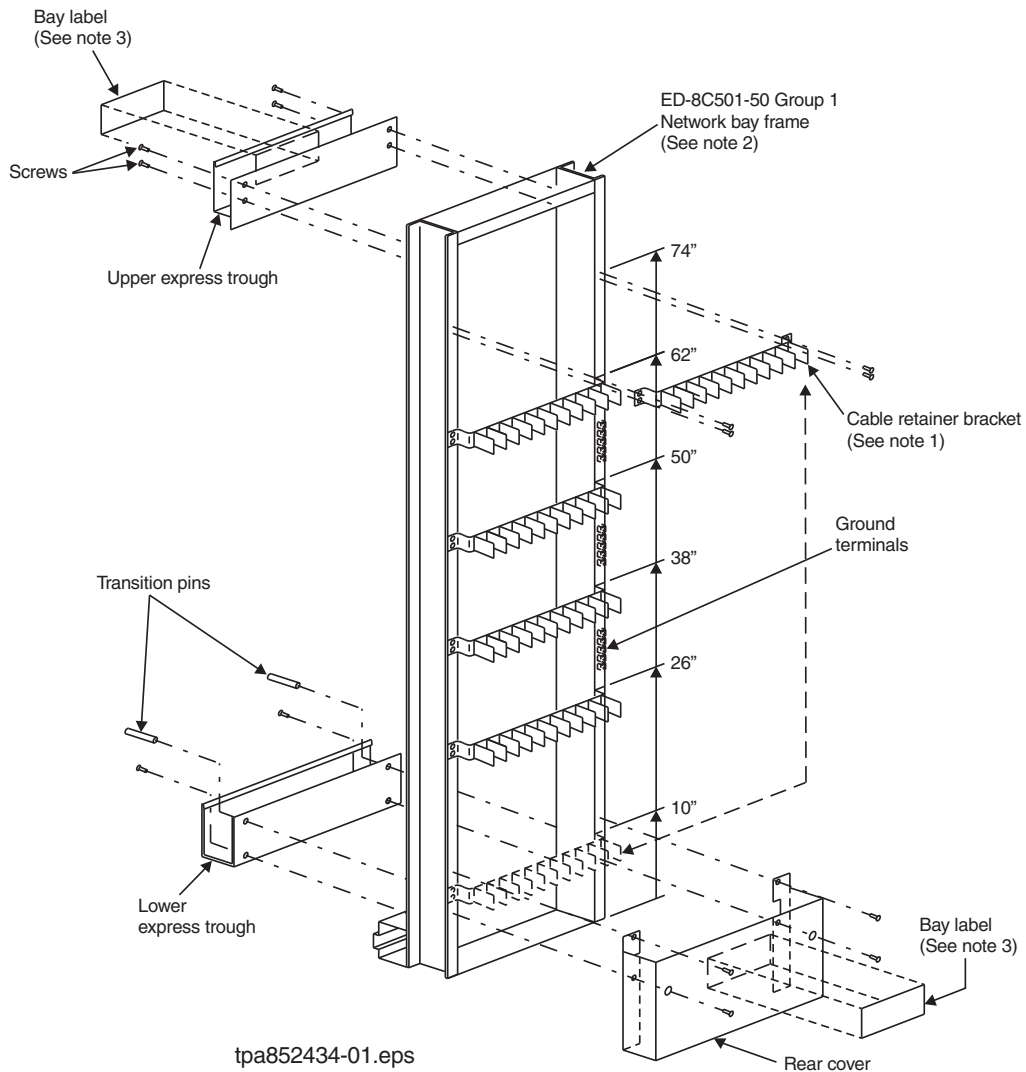


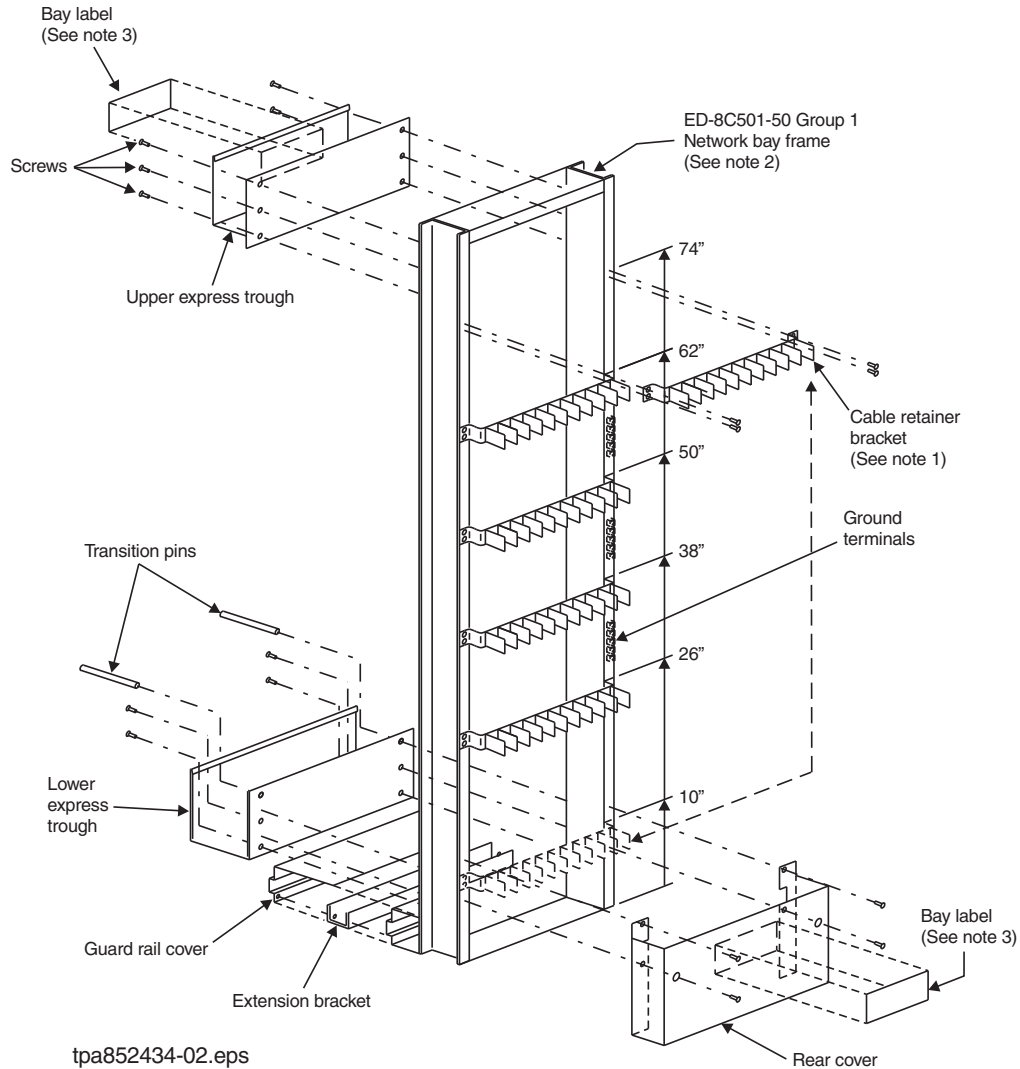
STEP 1—INSTALL ED-6C152-30 HARDWARE, GROUPS 1 AND 2 (EQUIPPED WITH 5-INCH DEEP TROUGHS)



NOTE:

1. The top cable retainer bracket is placed in the bottom position when the cable comes up from the floor.
2. The network bay frame is only supplied with Group 1.
3. The following bay label sets are provided: DSX-1 845 377 910, DSX-1C 845 377 928, and DSX-1/1C 845 378 249.
4. The upper express trough should be mounted with the top of the trough 6 feet 9 inches (81 inches) above the floor on a 7-foot, 9-foot or 11-foot 6-inch frame.

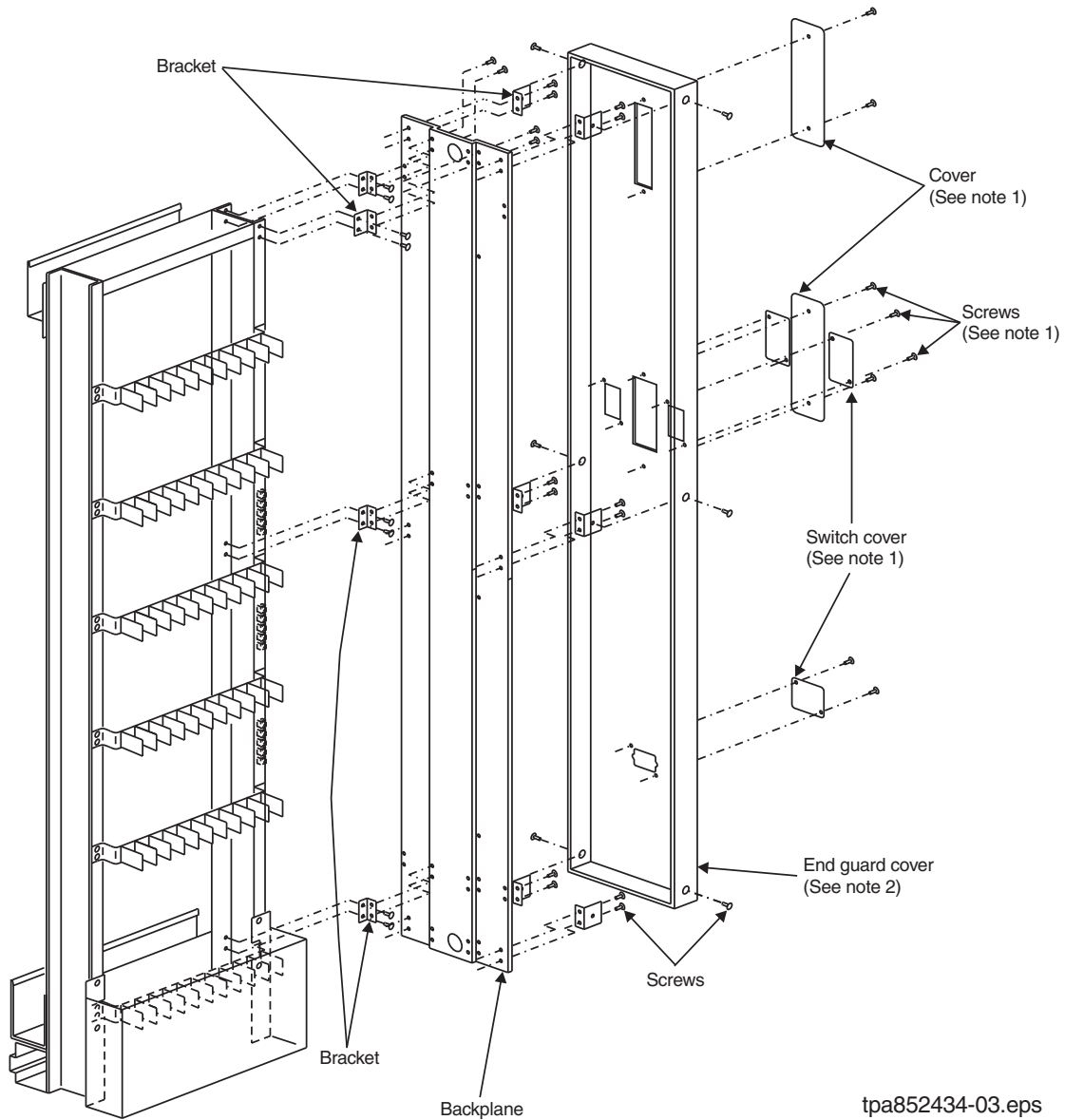
STEP 2—INSTALL ED-6C152-30 HARDWARE, GROUPS 3 AND 4 (EQUIPPED WITH 8-INCH DEEP EXPRESS TROUGH)



NOTE:

1. The top cable retainer bracket is placed in the bottom position when the cable comes up from the floor.
2. The network bay frame is only supplied with Group 3.
3. The following bay label sets are provided: DSX-1 845 377 910, DSX-1C 845 377 928, and DSX-1/1C 845 378 249.
4. The upper express trough should be mounted with the top of the trough 6 feet 11 inches (83 inches) above the floor on a 7-foot, 9-foot or 11-foot 6-inch frame.

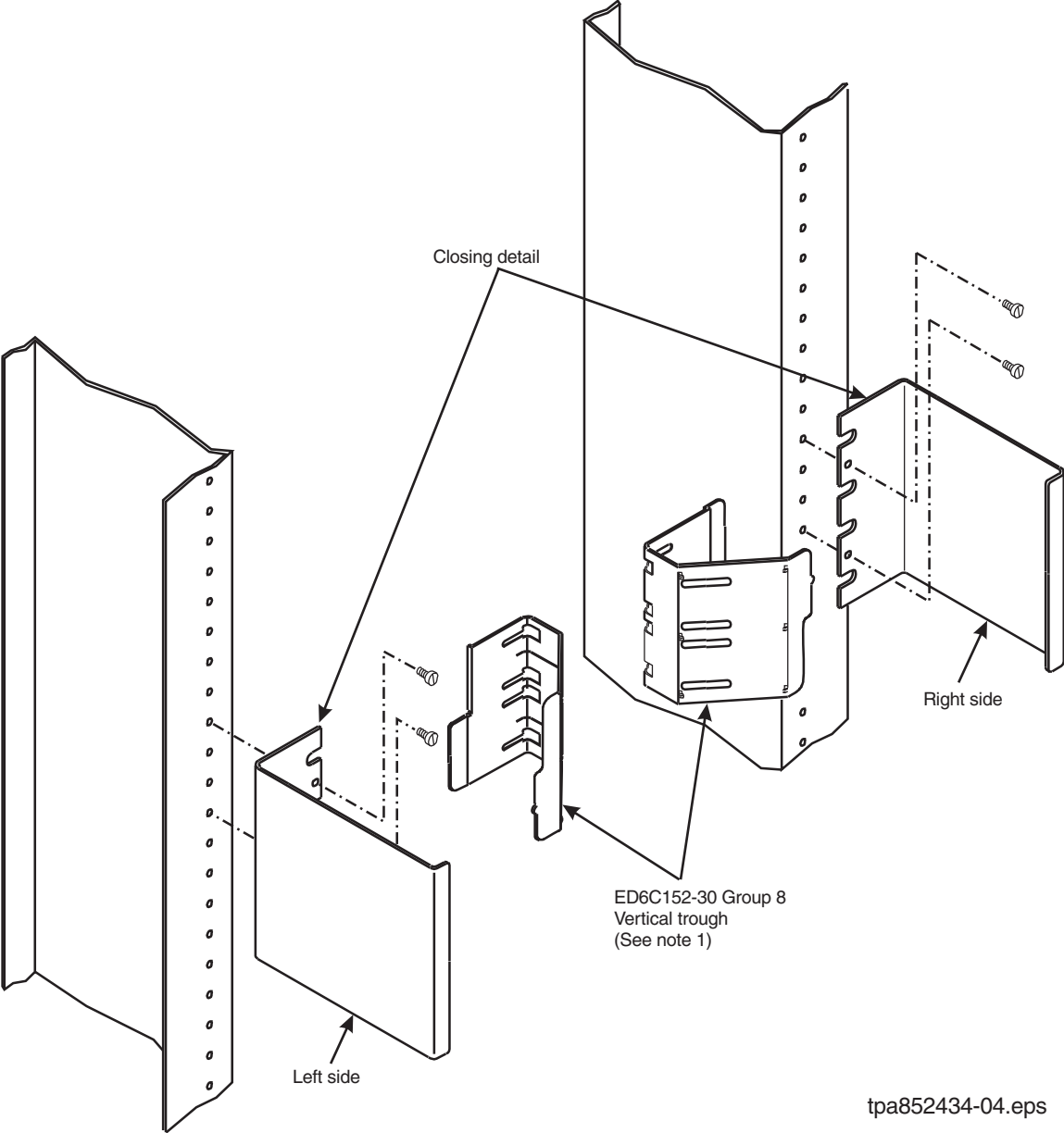
STEP 3—INSTALL END GUARDS ED-6C152-30, GROUPS 12, 13, AND 14



NOTE:

1. These items are assembled in the factory.
2. The end guard cover is available in three colors according to the group ordered.

STEP 4—INSTALL CLOSING DETAIL ED-6C152-30, GROUP 15

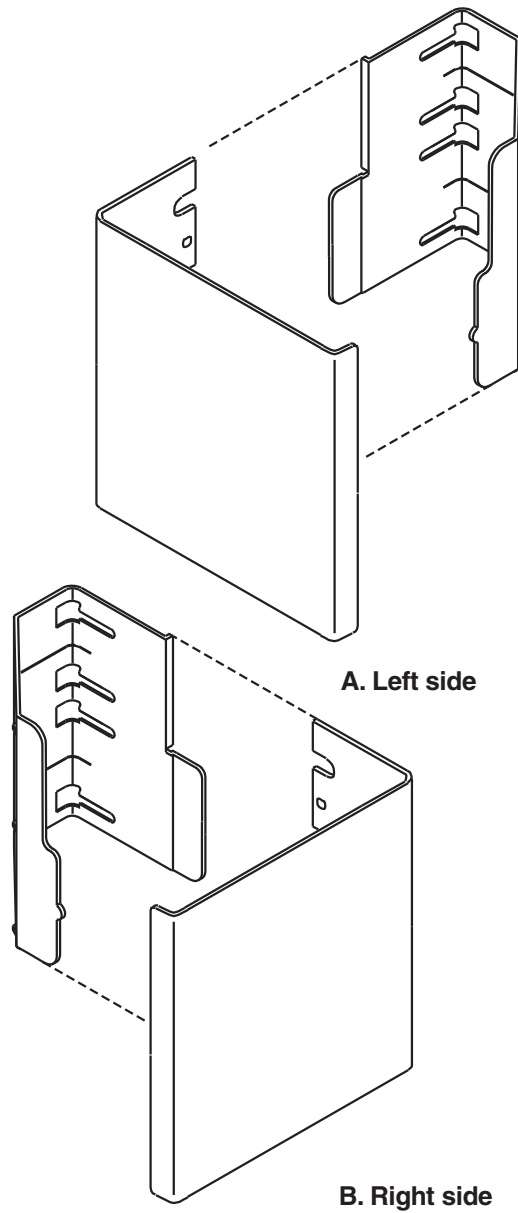


tpa852434-04.eps

NOTE:

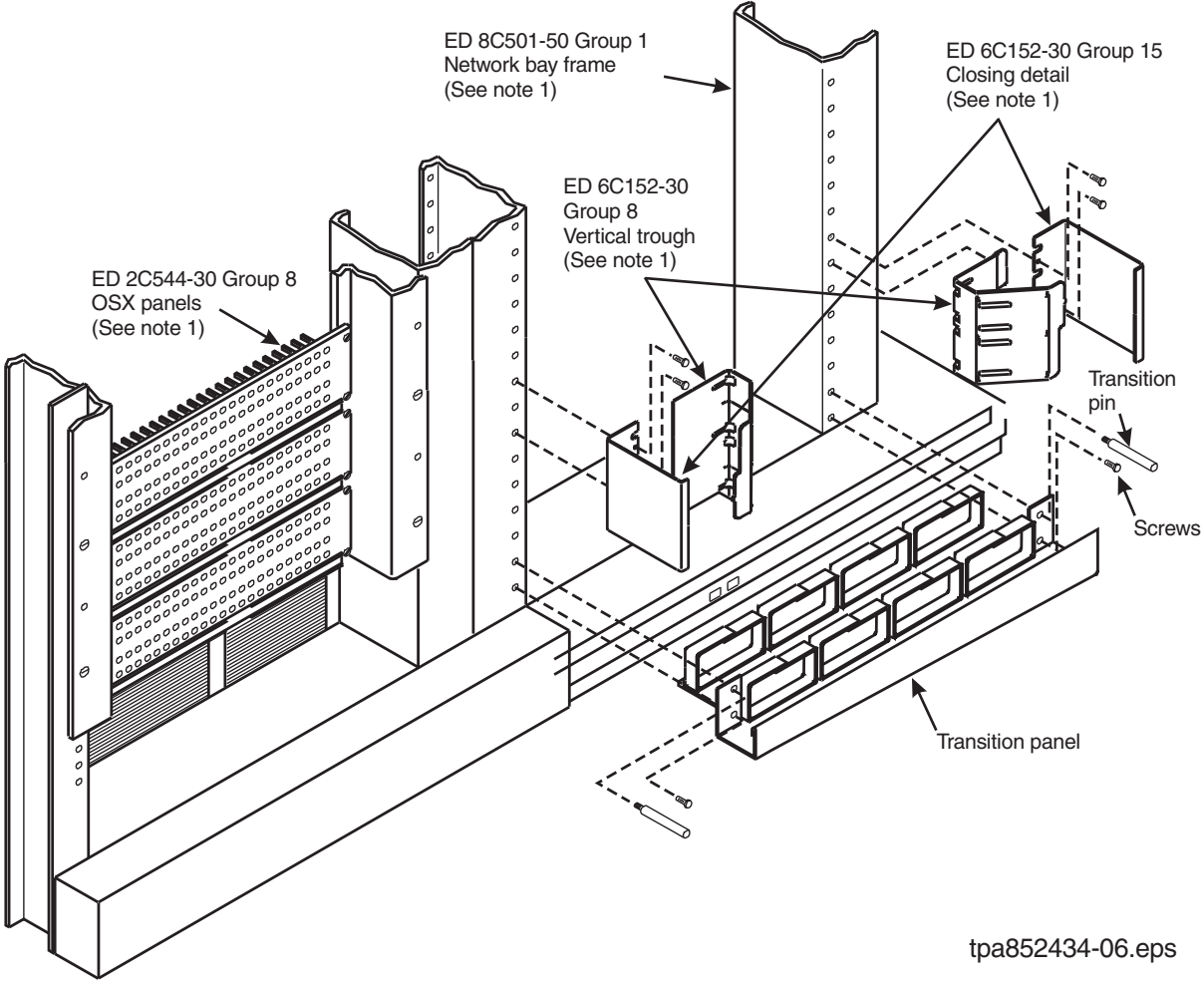
- 1. These items are not part of Group 15 and are supplied separately.

STEP 4—INSTALL CLOSING DETAIL ED-6C152-30, GROUP 15 (Continued)



tpa852434-05.eps

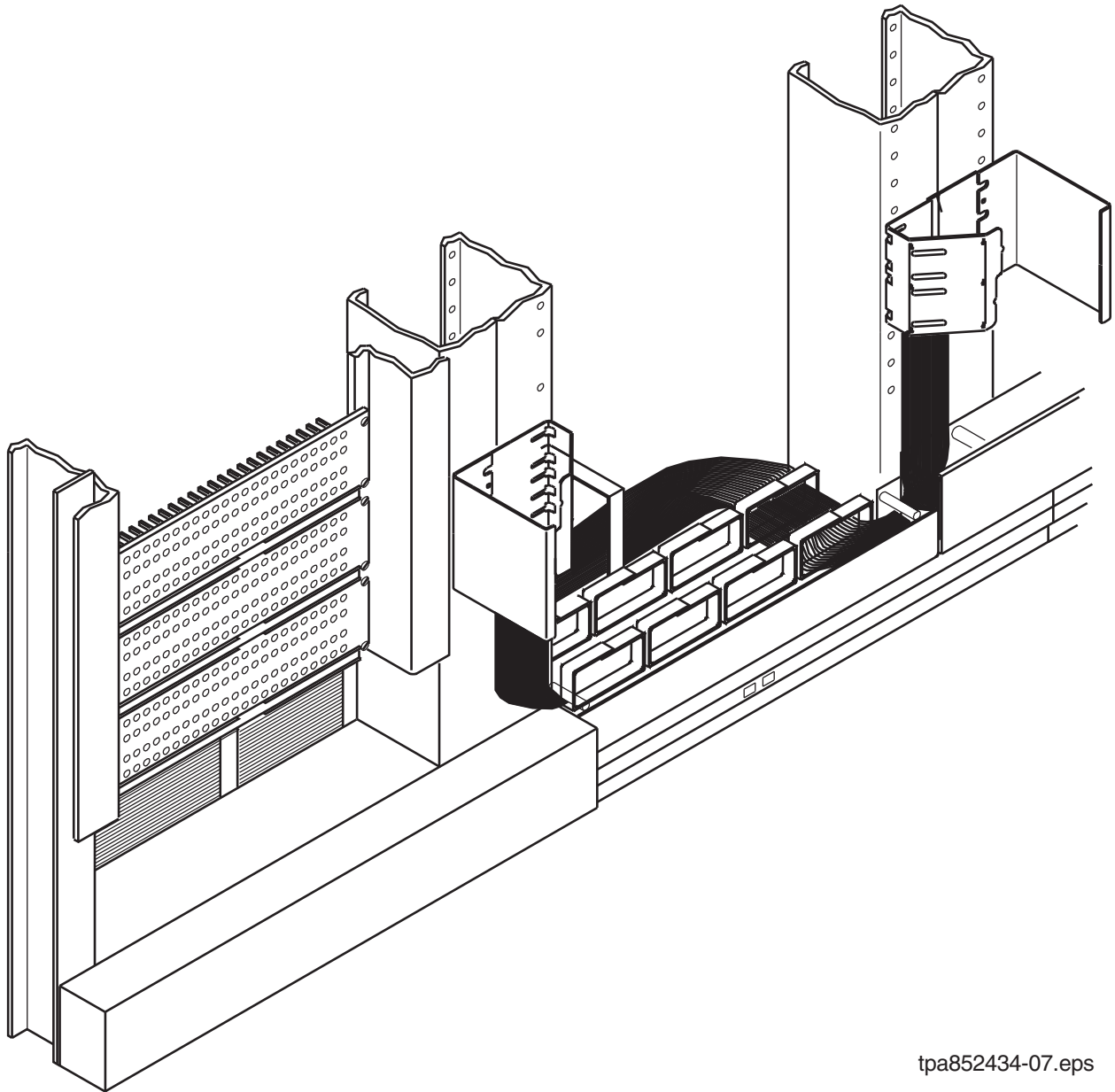
STEP 5— INSTALL TRANSITION PANEL ED-6C152-30, GROUP 17



NOTE:

1. These items are not part of Group 17 and must be ordered separately.

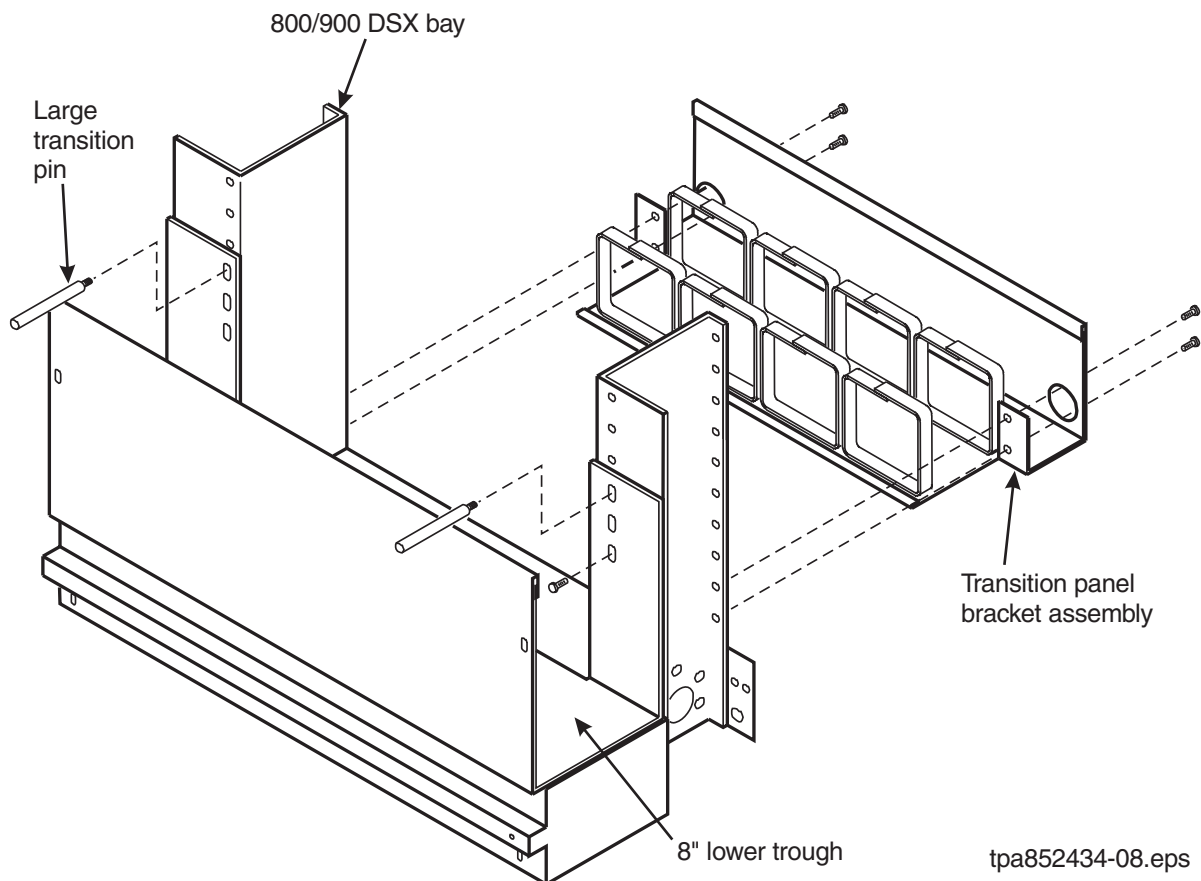
STEP 5—INSTALL TRANSITION PANEL ED-6C152-30, GROUP 17 (Continued)



tpa852434-07.eps

STEP 6—INSTALL TRANSITION PANEL ASSEMBLY (8 INCHES); ED-6C152-30, GROUP 26

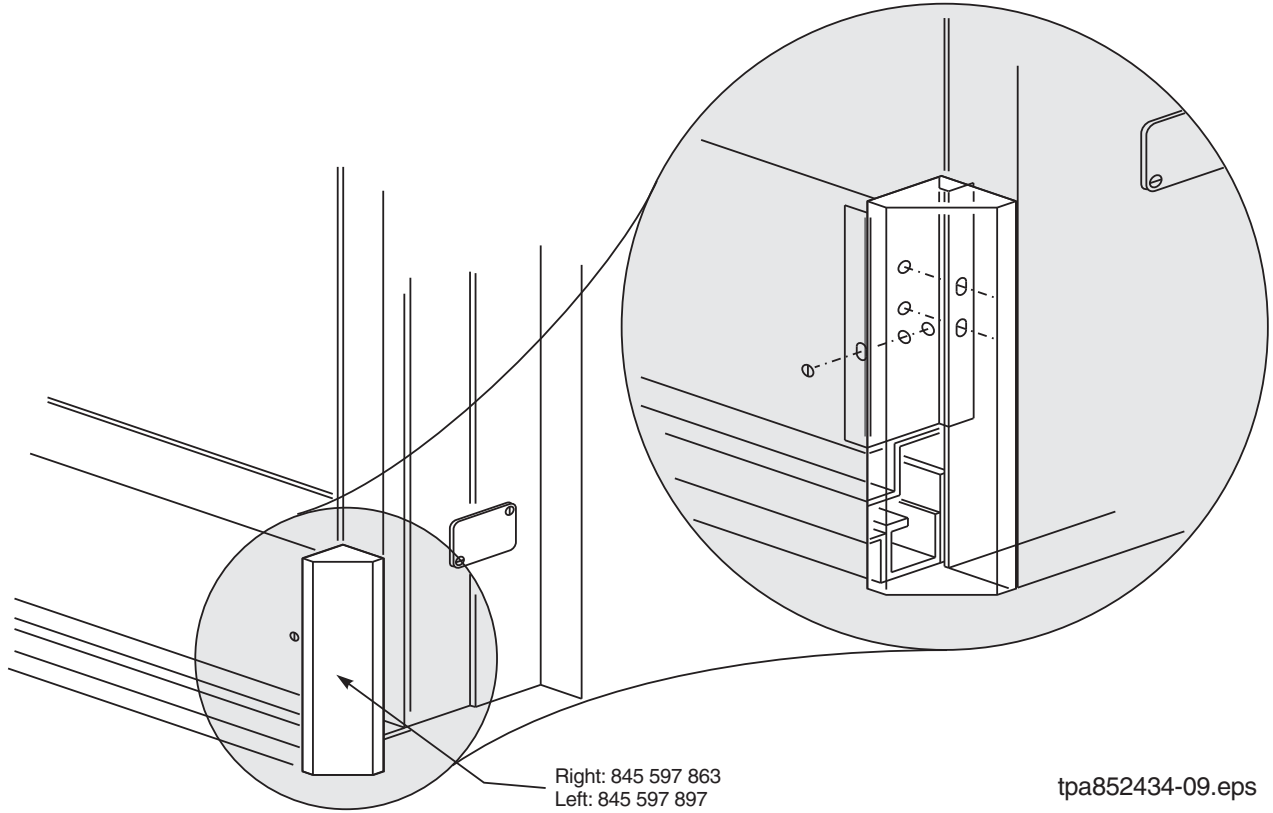
The transition panel assembly should only be installed in a direct adjacent bay in a mixed lineup. Refer to ED-6C150-10 and ED-6C150-11 for further information.



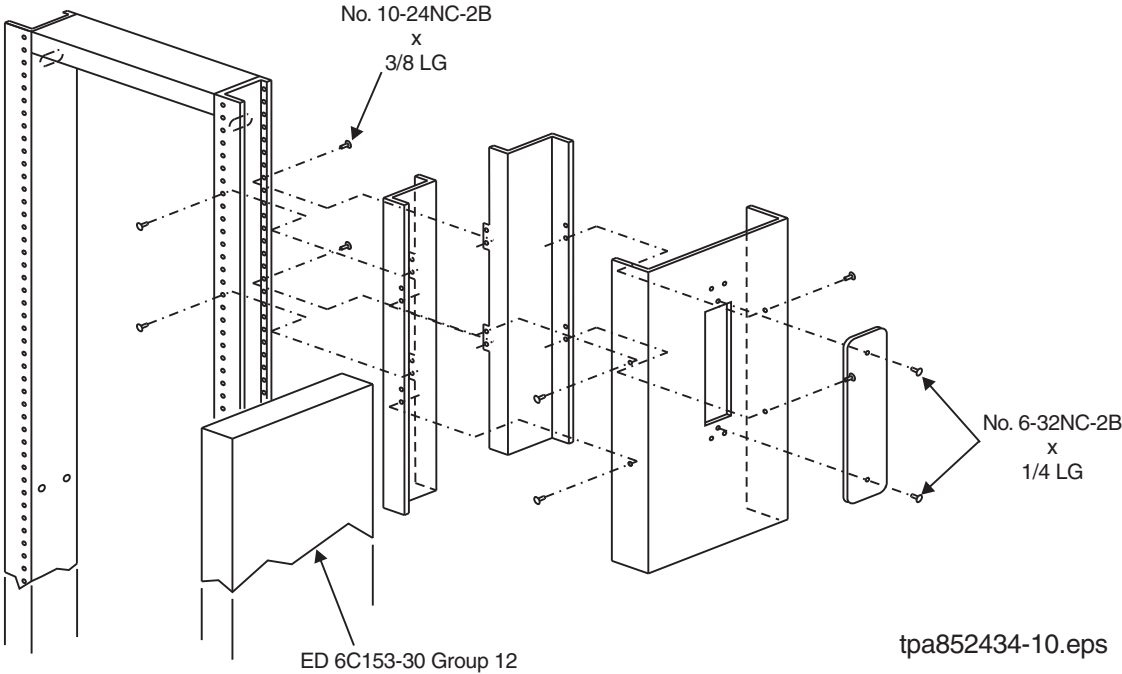
⇒ NOTE:

1. Install the 8-inch lower trough in the front of the bay as shown.
2. Install two large transition pins as shown.
3. Install the transition panel bracket assembly in the back of the bay as shown.

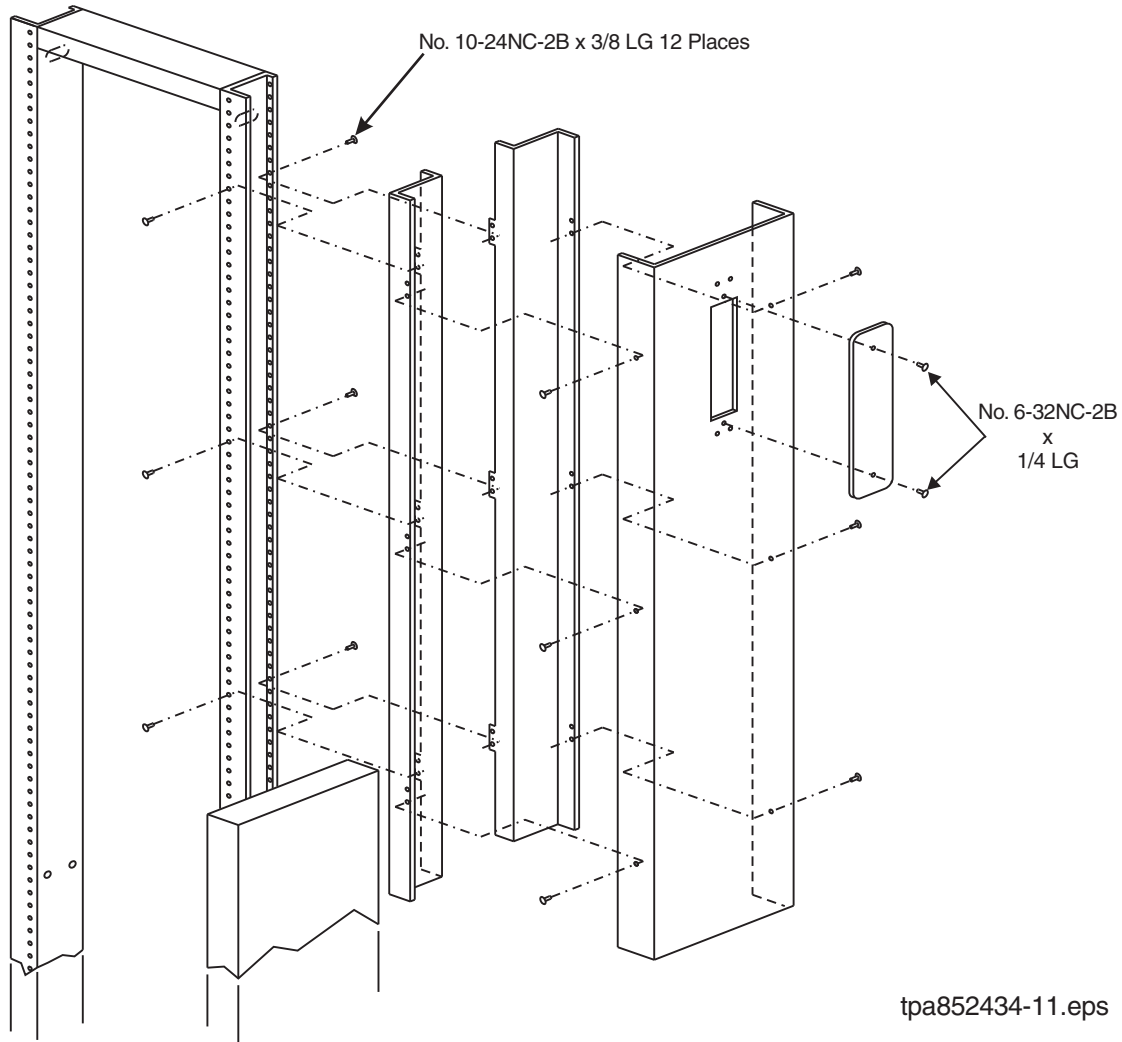
STEP 7—INSTALL TRIM ASSEMBLY BRACKET ED-6C152-30, GROUP 18



STEP 8—INSTALL END GUARD EXTENSION FOR 9-FOOT BAY ED-6C152-30, GROUP 19



STEP 9—INSTALL END GUARD EXTENSION FOR 11-FOOT 6-INCH BAY ED-6C152-30, GROUP 20



How to Contact Us

- To find out more about **Carrier Apparatus** products, visit us on the web at: <http://cw.commscope.com/>
- For technical assistance regarding Carrier Apparatus products: contact your local CommScope account representative or CommScope technical support at 1-800-344-0223.
- Report any missing or damaged parts to CommScope customer service in Omaha, Nebraska, at 1-866-539-2795.