

## General

This instruction sheet provides procedures for installing the Bantam Plus DSX-1/1C System ED-6C156-30 framework hardware for Groups 2, 4, 7, 8, 9 and 10.

## How to Contact Us

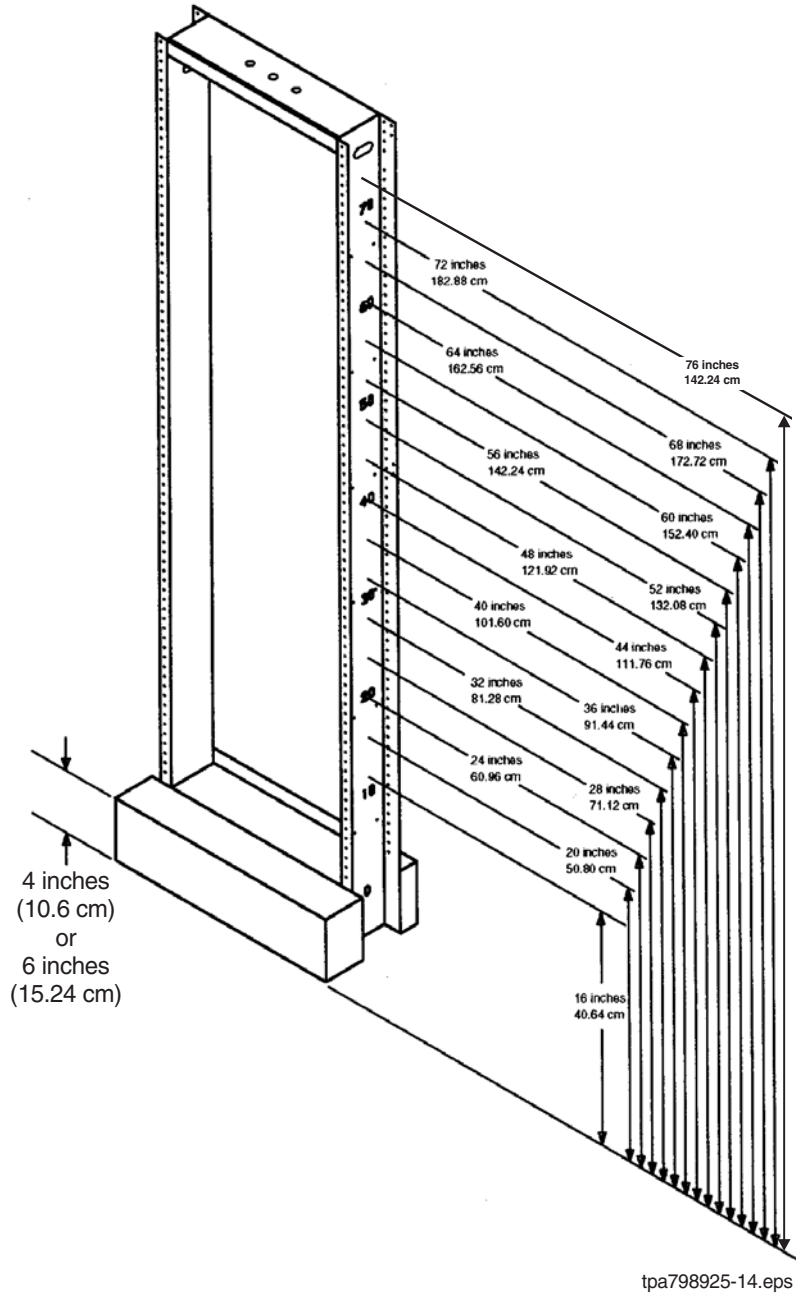
- To find out more about **Carrier Apparatus** products, visit us on the web at:  
<http://cw.commscope.com/>
- For technical assistance regarding Carrier Apparatus products: contact your local CommScope account representative or CommScope technical support at 1-800-344-0223.
- Report any missing or damaged parts to CommScope customer service in Omaha, Nebraska, at 1-866-539-2795.

## Tools Required

- Screw-starter
- Flat blade 0.25-inch (6 mm) wide screwdriver, 6 inches (152 mm) long

**STEP 1—IDENTIFY HOLE POSITIONS FOR FRAME HARDWARE INSTALLATION**

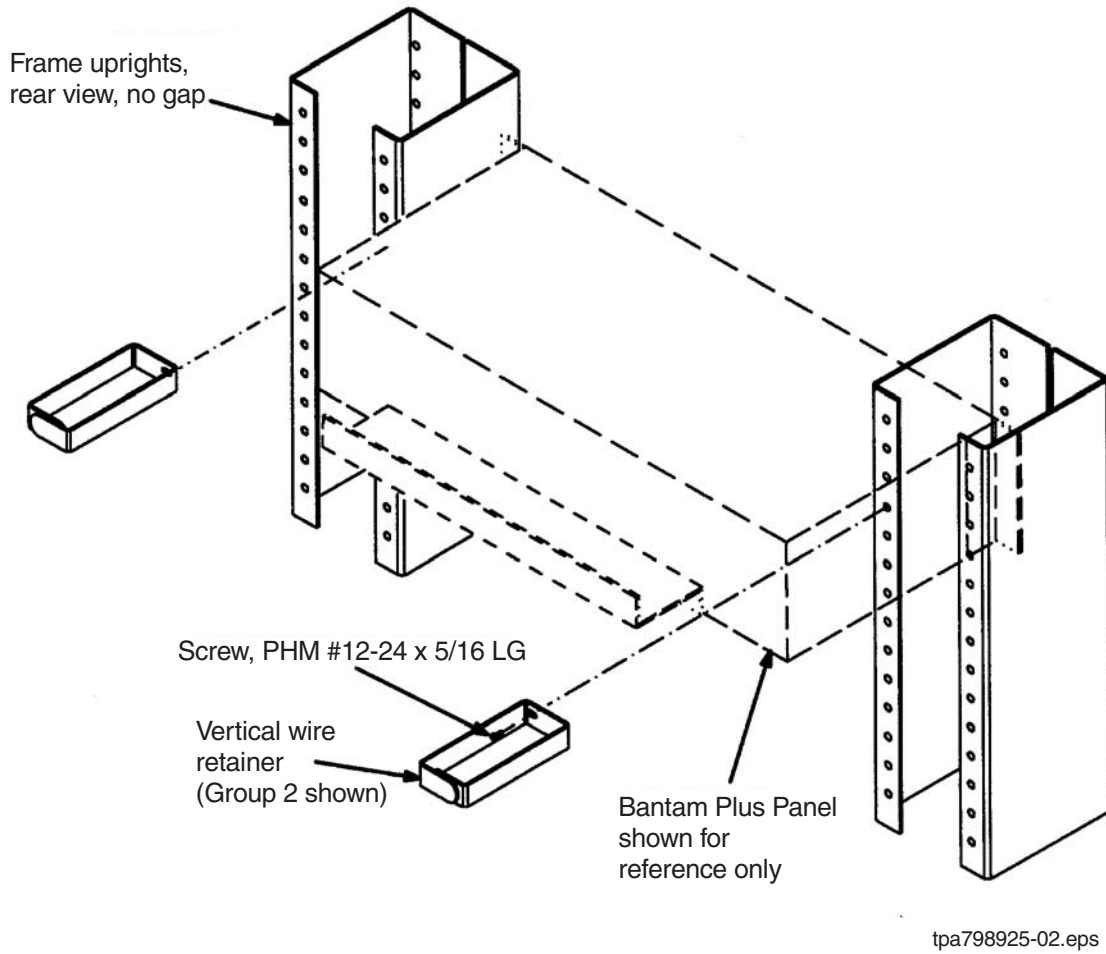
Refer to Figure 1.



**Figure 1. Identify Hole Positions For Frame Hardware Installation**

**STEP 2—INSTALL GROUP 2 OR GROUP 4 VERTICAL WIRE RETAINERS WITH NO SPACE BETWEEN BAYS**

Refer to Figure 2.



**Figure 2. Install Group 2 Or Group 4 Vertical Wire Retainers With No Space Between Bays**

**STEP 2—INSTALL GROUP 2 OR GROUP 4 VERTICAL WIRE RETAINERS WITH NO SPACE BETWEEN BAYS (Continued)**

1. Verify the correct vertical trough codes:

<b>ED-6C156-30 Group</b>	<b>Depth</b>
2	5-inch
4	8-inch

2. Align the vertical wire retainer on the rear of the frame with the panel's top mounting hole.

**Note:**

Remove the top No. 12-24 screws from both sides of panels that are mounted from the rear.

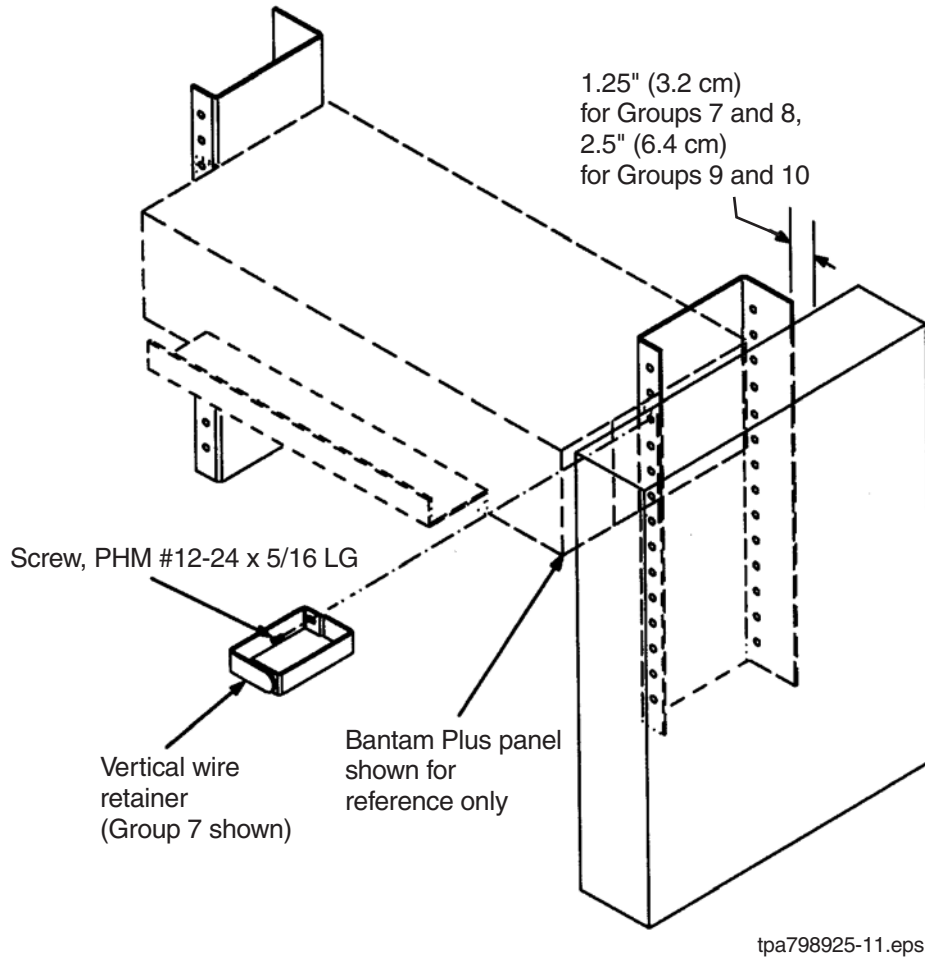
3. Install the vertical wire retainers in the frame at the top hole positions of the panel with two No. 12-24 screws removed from the panel or the screws provided with the retainers.

**Note:**

ED-6C156-30 Group 4 vertical wire retainers [8 inches (20.3 cm)] install in the frame the same as the ED-6C156-30 Group 2 vertical wire retainers shown in the figure on page 2. If the vertical troughs are being installed on a partially equipped bay, use the dimensions given in the figure on page 1 to locate the mounting positions.

**STEP 3—INSTALL GROUP 7, 8, 9, or 10 VERTICAL WIRE RETAINER WITH ENDGUARD SPACED 1.25 INCHES (3.2 cm) FROM FRAME**

Refer to Figure 3.



**Figure 3. Install Group 7, 8, 9 or 10 Vertical Wire Retainer With Endguard**

**STEP 3—INSTALL GROUP 7, 8, 9 or 10 VERTICAL WIRE RETAINER WITH ENDGUARD SPACED 1.25 INCHES (3.2 cm) FROM FRAME (Continued)**

1. Verify the correct vertical trough code:

<b>ED-6C156-30 Group</b>	<b>Depth of Trough</b>	<b>Spacing to Endguard</b>
7	5 inches	1.25 inches
8	5 inches	2.5 inches
9	8 inches	1.25 inches
10	8 inches	2.5 inches

2. Align the vertical wire retainer on the rear of the frame (narrow flange) with the panel's top hole position.

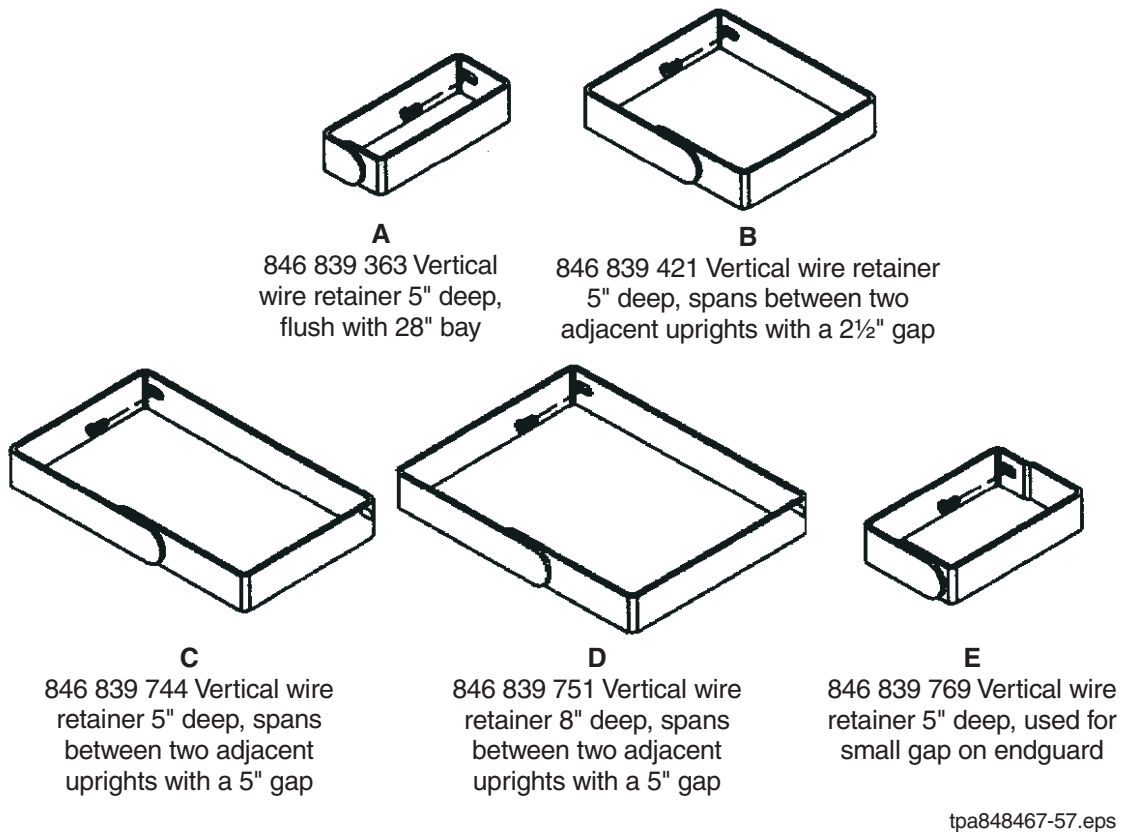
**Note:**

Remove the top screw of rear mounted panels adjacent to Endguards.

3. Install the vertical wire retainer at the top hole position of the panel with No. 12-24 screws provided with the retainer.

**GENERAL PARTS INFORMATION**

Refer to Figure 4. Separately packaged parts are available for replacement of damaged parts or for special order requirements:



**Figure 4. General Parts Information**

**Table 1: Description of Parts Shown in Figure 4.**

Figure	Material ID	Description
A	846 839 363	One 5" deep vertical wire retainer flush mount with mounting screw.
B	846 839 421	One 5" deep vertical wire retainer spans bet. two adjacent uprights with a 2½" gap.
C	846 839 744	One 5" deep vertical wire retainer spans bet. two adjacent uprights with a 5" gap.
D	846 839 751	One 8" deep vertical wire retainer spans bet. two adjacent uprights with a 5" gap.
E	846 839 769	One 5" deep vertical wire retainer used for endguard, small gap.