

 **CAUTION:**

Caution: Spray cleaners can damage plastic parts. Do not apply any sprays or cleaners to this product that have not been approved. Be especially careful not to expose any plastic parts to chemicals containing trichlorethane, such as certain cleaning fluids and lubricant sprays.

General

This instruction sheet explains the procedures followed when installing or removing a Digital Interconnect and Cross-Connect Interface (DIXI-1) connecting block. The installation procedure in this instruction sheet assumes the panel mounting bracket has been installed and all wiring and cabling has been connected. Instruction sheet 365-301-121-2 contains instructions for installing and cabling the DIXI-1 panel and individual blocks.

Equipment Description

The DIXI-1 connecting block provides four jacks and interconnect/cross-connect circuits in a 1.10-inch wide by 3.48-inch high by 2.35-inch deep (28 by 88 by 60 mm) white plastic housing. Located on the front of each block are *IN* and *OUT* 800-type jacks for patching and monitoring DS1/DS1C circuits terminated on the block. Also located on the front are wire-wrap pins for terminating either equipment cabling (interconnect applications) or cross-connect jumpers.

Located on the rear of the block are wire-wrap pins for terminating equipment cabling. The circuit block may be mounted in either a 4-inch (102 mm), 5-inch (127 mm), or 6-inch (152 mm) high DIXI-1 panel. The DIXI-1 connecting block is based on the 800/900-Series DSX edge-board patch cord system.

A blank faceplate may be ordered separately and is used to cover any empty DIXI-1 block slots in a panel.

Ordering Information

Apparatus Code	Material ID	Description
DIXI/4A1-4	106 972 292	4-circuit DIXI-1 connecting block
DIXI/4A1-0	107 396 137	Blank faceplate to fill empty panel slot

How to Contact Us

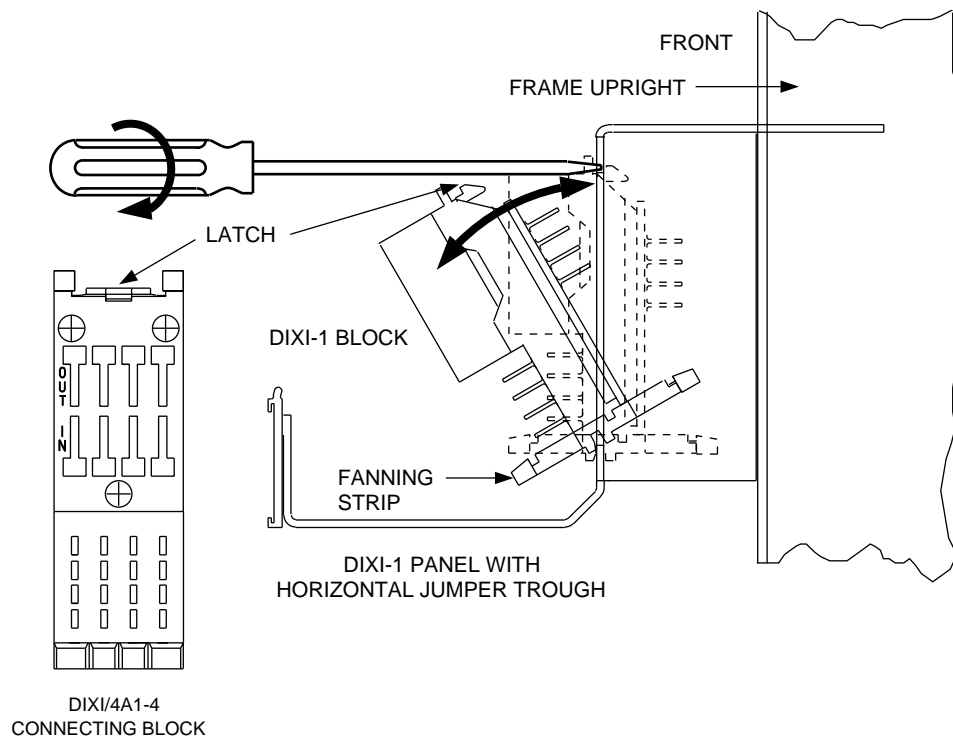
- To find out more about **Carrier Apparatus** products, visit us on the web at: <http://cw.commscope.com/>
- For technical assistance regarding Carrier Apparatus products: contact your local CommScope account representative or CommScope technical support at 1-800-344-0223.
- Report any missing or damaged parts to CommScope customer service in Omaha, Nebraska, at 1-866-539-2795.

Tools Required

- Flat-blade Screwdriver 0.1 to 0.2 inch (2.5 to 5 mm)
- 800 N/O Thru Plug (105 514 285)

References

- ED 6C155-10 — *DIXI-1 Engineering, Application and Ordering*
- ED 6C157-10 — *Digital Cross-Connect and Interconnect Framework Engineering, Hardware and Ordering*
- ED 6C157-30 — *DSX Framework Hardware Groups*
- ED 6C157-31 — *DSX Framework Hardware Groups*
- 365-301-121 — *DIXI-1 System Reference Guide*
- 365-301-121-2 — *DIXI-1 Panel Assemblies Installation and Cabling*
- 365-301-121-3 — *DIXI-1 Panel Assemblies with Ground Plate Installation and Cabling*
- 365-301-121-4 — *DIXI-GR1A Ground Plate, Installation Instructions*
- 365-301-121-5 — *Combined DIXI-1 and DDI Wall Mount Panel Assembly, Installation and Cabling*
- T Drawing: T6C100-12 — *Digital Transmission Facilities DIXI-1 Interconnection Circuit*



STEP 1— DIXI-1 CONNECTING BLOCK REPLACEMENT

Removing DIXI-1 Block

1. Disconnect any jumpers or cables connected to the front of the block.
2. Use a screwdriver with a flat blade 0.1 inch to 0.2 inch (2.5 to 5 mm) in width to remove connecting block from panel. Insert screwdriver into slot at top-center of block until blade contacts stop at back of latch.
3. Rotate screwdriver 90 degrees, and by grasping the top of block, pull connecting block straight back.
4. Lift block from mounting bracket and position upside-down on label holder.
5. Disconnect all wiring connected to the rear of the block.

Installing DIXI-1 Block

1. Verify all wiring/cabling is properly connected.
2. Lift and rotate the block upward, placing slot at bottom of fanning strip, onto sawtooth ledge of panel mounting bracket.
3. Push block into opening of panel, mounting bracket until latch on block *snap-locks* into bracket.
4. Verify block is properly secured into panel bracket by grasping block at top and pulling from front with a moderate amount of force [approximately 10 lbs. (4.5kg)].