

**ED-6C157-30 FRAMEWORK HARDWARE
FOR DSX-1/1C AND DIXI SYSTEMS
INSTALLATION PROCEDURES
FOR BAY SPACING HARDWARE
AND REAR CABLING HARDWARE**

General

This instruction sheet provides procedures for installing the following framework hardware:

- Bay spacing hardware—including filler panels, frame box spacers, bay spacer straps, and duct cable straps
- Rear cable brackets—10-slot and 12-slot
- Rear cable straps
- Rear cable cover, bridging panel, and cable enclosure
- Guardrail extension bracket and cover.

These framework hardware piece parts are used with the DSX-1/1C Systems (**Bantam Plus**[™] and 800- and 900-Series), and the Digital Interconnect and Cross-Connect Interface Systems (DIXI-1 and DIXI-3). All of the hardware covered in this instruction sheet is designed to mount on 23-inch (584 mm) bay frames.

The individual framework groups are also supplied with certain ED-6C157-31 groups. ED-6C157-31 framework groups consist of various ED-6C157-30 individual groups assembled to facilitate the engineering and ordering of the framework hardware needed to construct bays for specific applications.

How to Contact Us

- To find out more about **Carrier Apparatus** products, visit us on the web at: <http://cw.commscope.com/>
- For technical assistance regarding Carrier Apparatus products: contact your local CommScope account representative or CommScope technical support at 1-800-344-0223.
- Report any missing or damaged parts to CommScope customer service in Omaha, Nebraska, at 1-866-539-2795.

References

- 365-301-120 — *800-Series and 900-Series DSX-1/1C, System Reference Guide*
- 365-301-125 — **Bantam Plus**[™] *2DSX-1/1C, System Reference Guide*
- 365-301-121 — *DIXI-1 System, System Reference Guide*
- 365-301-131 — *DIXI-3 System, System Reference Guide*
- ED-6C152-12 — *900-NSD System, Engineering and Ordering*
- ED-6C157-10 — *DSX-1/1C and DIXI System, Framework Engineering, Hardware and Ordering*
- ED-6C157-31 — *DSX-1/1C and DIXI System, Framework Hardware Groups*
- ED-6C156-10 — **Bantam Plus**[™] *DSX-1/1C System, Engineering and Ordering*
- ED-6C155-10 — *DIXI-1 System, Engineering and Ordering*
- ED-6C155-11 — *DIXI-3 System, Engineering and Ordering*

Material ID 847 441 680
Instruction Sheet

Tools Required

- Screw-starter
- Flat-blade 0.2-inch (5 mm) wide, 6-inch (152 mm) long screwdriver

Ordering Information

Apparatus Code	Material ID	See	Description
ED-6C157-30 Group 2	601 414 865	page 5	One 10-slot 23-inch (584 mm) W rear cable bracket. Color: white.
ED-6C157-30 Group 47	601 425 424	page 5	One 12-slot 23-inch (584 mm) W rear cable bracket. Color: blue.
ED-6C157-30 Group 48	601 425 432	page 5	One 23-inch (584 mm) W rear cable strap. Color: white.
ED-6C157-30 Group 49	601 425 440	page 5	Rear cable cover and rear bridging panel. Color: blue.
ED-6C157-30 Group 50	601 425 457	page 5	8-inch (203 mm) kick rail extension and cover. Color: blue.
ED-6C157-30 Group 51	601 431 935	page 3	Bay spacing hardware to space 15-inch (381 mm) D bays 5-inch (127 mm) apart. Includes frame box spacer and cover, filler panels, bay spacer straps, and duct cable straps. Color: white.
ED-6C157-30 Group 61	601 449 911	page 4	Bay spacing hardware to space 12-inch (305 mm) D bays 10-inch (254 mm) apart. Includes frame box spacer and cover, filler panels, bay spacer straps, and duct cable straps. Color: white.
ED-6C157-30 Group 63	601 454 465	page 4	Bay spacing hardware to space 15-inch (381 mm) D bays 10-inch (254 mm) apart. Includes frame box spacer and cover, filler panels, bay spacer straps, and duct cable straps. Color: white.
ED-6C157-30 Group 64	601 454 473	page 4	Bay spacing hardware to space 12-inch (305 mm) D bays 5-inch (127 mm) apart. Includes frame box spacer and cover, filler panels, bay spacer straps, and duct cable straps. Color: white.
ED-6C157-30 Group 65	601 454 481	page 4	One jumper support bracket. Color: white.
ED-6C157-30 Group 66	601 454 457	page 5	One rear cable cover enclosure. Color: blue.
ED-6C157-30 Group 71	601 458 185	page 5	One 10-slot 23-inch (584 mm) W rear cable bracket. Color: blue.

INSTALLING GROUP 51, 5-INCH (127 mm) BAY SPACING HARDWARE

1. Fasten frame base spacer to adjacent bay frames with two 3/8-inch -16 by 1-inch (9.52 mm by 25 mm) long screws (see Figure 1).
2. Fasten the bay spacer straps to adjacent frames using four No. 12-24 by 1/4-inch (5.49 mm by 6.4 mm) long screws per strap.
3. Attach lower filler panel to middle bay spacer strap by sliding filler panel over the middle bay strap.
4. Attach upper filler panel to top bay spacer strap by sliding filler panel over upper bay strap.

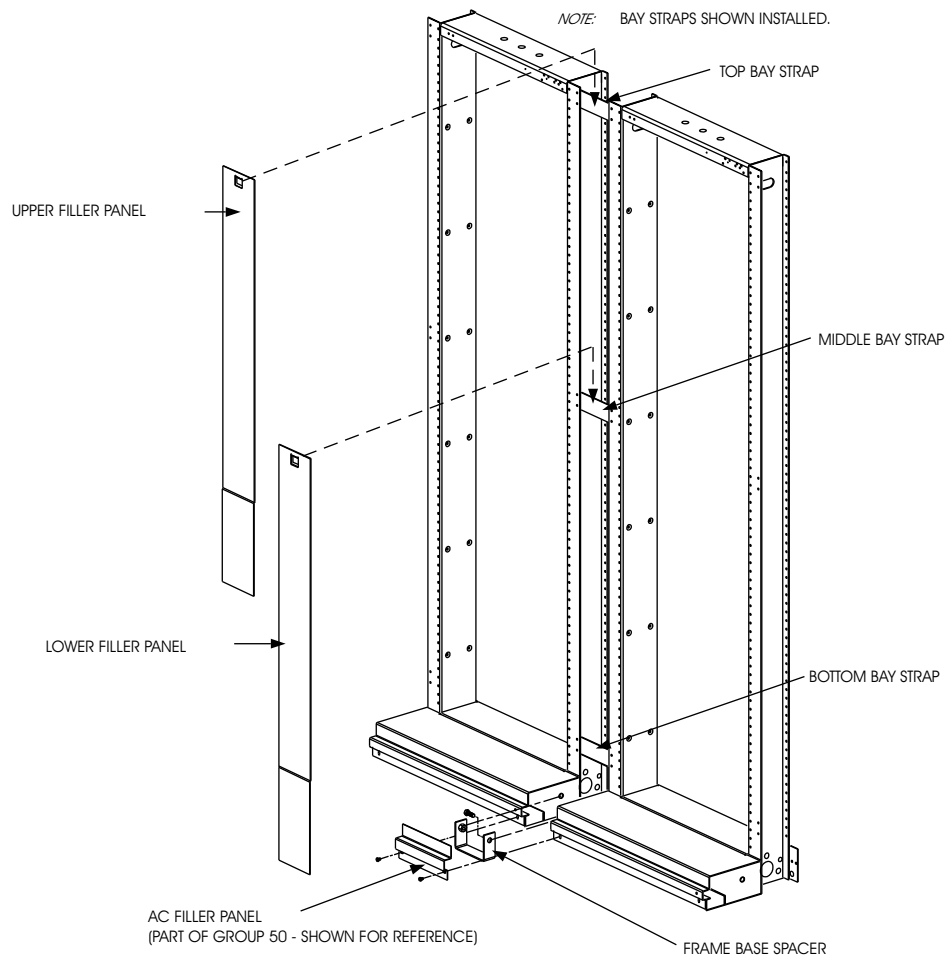


Figure 1. Installing Group 51, 5-Inch (127 mm) Bay Spacing Hardware

INSTALLING GROUPS 61, 63, 64, AND 65 FRAMEWORK HARDWARE

1. Fasten frame base box spacer to adjacent bay frames with two 3/8-inch -16 by 1-inch (9.52 mm by 25 mm) long screws. (See Figure 2.)
2. Fasten base cover to frame base box spacer with four No. 12-24 by 1/4-inch (5.49 mm by 6.4 mm) long screws.
3. Fasten three bay spacer straps to adjacent frames with four No. 12-24 by 1/4-inch (5.49 mm by 6.4 mm) long screws per strap.
4. Fasten three duct cable straps to adjacent frames with two No. 12-24 by 1/4-inch (5.49 mm by 6.4 mm) long screws per strap.
5. Attach lower filler panel to middle bay spacer strap by sliding filler panel over middle bay spacer strap.
6. Attach upper filler panel to top bay spacer strap by sliding filler panel over top bay spacer strap.
7. *For 10-inch spaced bays only*—Attach jumper support bracket (Group 65) to top two holes on adjacent frames with two .216 -24 by 1/4-inch (6.4 mm) screws.

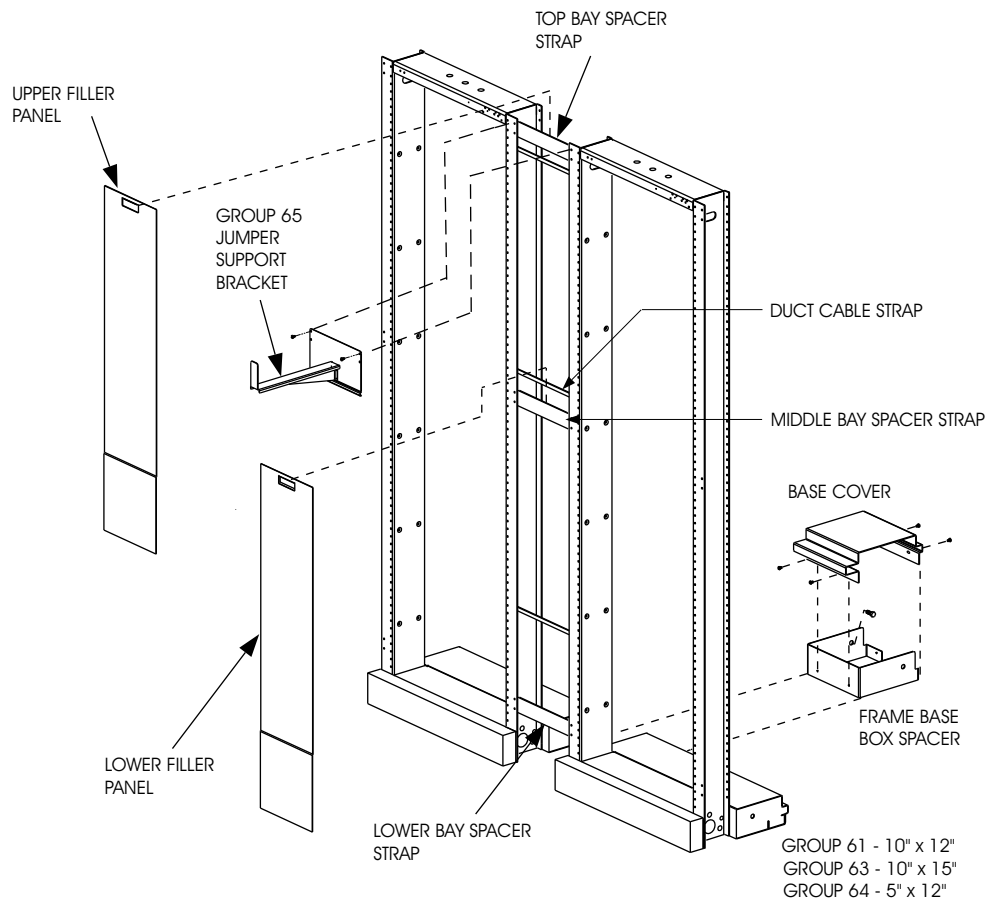


Figure 2. Installing Groups 61, 63, 64, and 65 Framework Hardware

INSTALLING GROUPS 2, 47, 48, 49, 50, 66, AND 71

1. Fasten each Group 48 rear cable strap to frame using two No. 12-24 by 3/8-inch (5.49 mm by 9.52 mm) long screws (see Figure 3).
2. Fasten each Group 2, 47, or 71 rear cable bracket to frame with two No. 12-24 by 3/8-inch (5.49 mm by 9.52 mm) long screws.
3. Install Group 49 hardware as follows:
 - a) Fasten rear cable cover, and rear cable cover enclosure, to frame using four No. 12-24 by 3/8-inch (5.49 mm by 9.52 mm) long screws.
 - b) Fasten rear bridging panel by sliding over rear cable covers on adjacent bays.
3. Install Group 50 hardware as follows:
 - a) Fasten 3-inch (76 mm) guard rail extension bracket to guard rail using two No. 12-24 by 3/8-inch (5.49 mm by 9.52 mm) long screws.
 - b) Fasten 8-inch (203 mm) guard rail cover to guard rail extension bracket using two No. 12-24 by 3/8-inch (5.49 mm by 9.52 mm) long screws.
 - c) Fasten AC filler panel to adjacent guard rail covers using two No. 12-24 by 3/8-inch (5.49 mm by 9.52 mm) long screws.

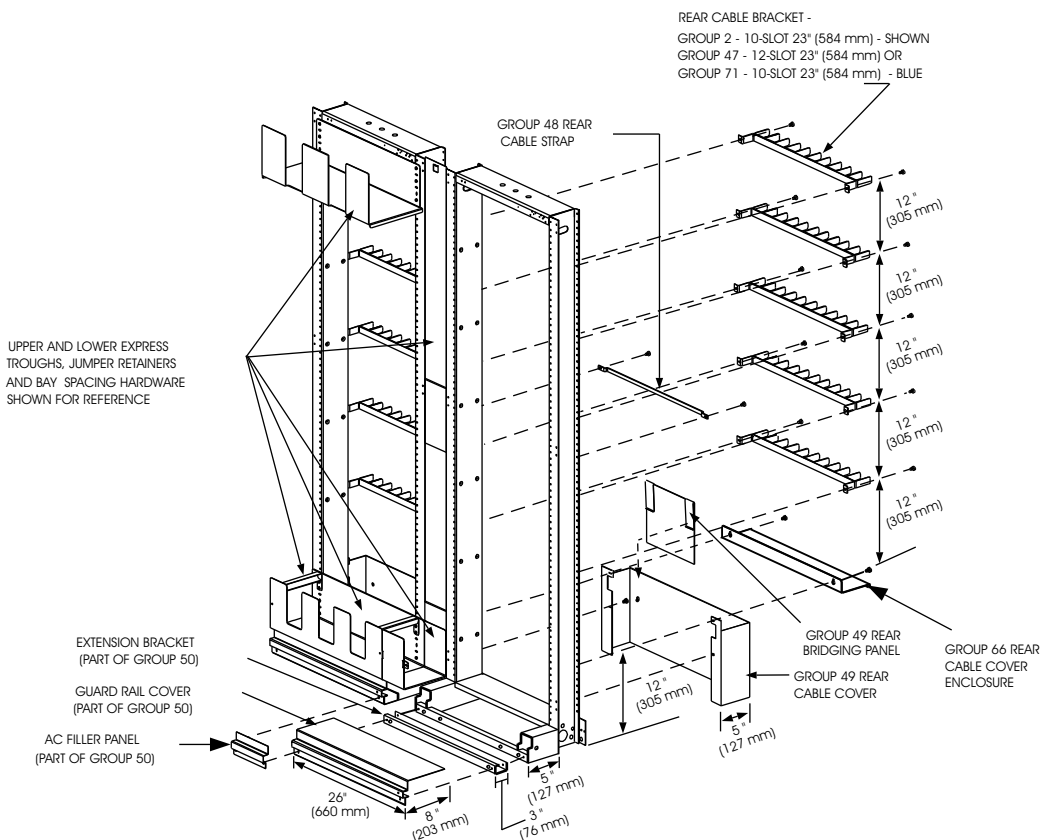


Figure 3. Installing Groups 2, 47, 48, 49, 50, 66, and 71