

**ED-6C157-30 FRAMEWORK HARDWARE FOR  
DSX-1/1C AND DIXI SYSTEMS  
INSTALLATION PROCEDURES FOR  
MISCELLANEOUS FRAMEWORK HARDWARE**

### General

This instruction sheet provides procedures for installing miscellaneous framework hardware available from ED-6C157-30. This hardware includes the split tie-circuit panel, upper horizontal wire retainers, upper horizontal jumper retainers, and two and four-inch adapter sets.

### How to Contact Us

- To find out more about **Carrier Apparatus** products, visit us on the web at: <http://cw.commscope.com/>
- For technical assistance regarding Carrier Apparatus products: contact your local CommScope account representative or CommScope technical support at 1-800-344-0223.
- Report any missing or damaged parts to CommScope customer service in Omaha, Nebraska, at 1-866-539-2795.

### References

- 365-301-120 — *800-Series and 900-Series DSX-1/1C, System Reference Guide*
- 365-301-125 — **Bantam Plus™** *2DSX-1/1C, System Reference Guide*
- 365-301-121 — *DIXI-1 System, System Reference Guide*
- 365-301-131 — *DIXI-3 System, System Reference Guide*
- ED-6C152-12 — *900-NSD System, Engineering and Ordering*
- ED-6C157-10 — *DSX-1/1C and DIXI System, Framework Engineering, Hardware and Ordering*
- ED-6C157-31 — *DSX-1/1C and DIXI System, Framework Hardware Groups*
- ED-6C156-10 — **Bantam Plus™** *DSX-1/1C System, Engineering and Ordering*
- ED-6C155-10 — *DIXI-1 System, Engineering and Ordering*
- ED-6C155-11 — *DIXI-3 System, Engineering and Ordering*

### Tools Required

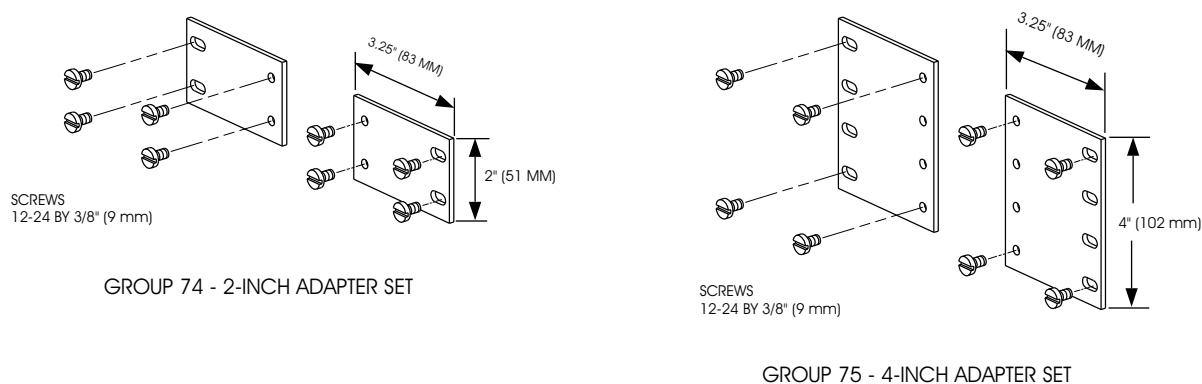
- Screw-starter
- Flat-blade 0.2-inch (5 mm) wide, 6-inch (152 mm) long screwdriver

**Ordering Information**

Apparatus Code	Material ID	Description
ED-6C157-30 Group 21	601 415 060	One 23-inch (584 mm) W split tie-circuit mounting bracket.
ED-6C157-30 Group 30	601 415 151	4-inch (102 mm) H by 8-inch (203 mm) D upper horizontal wire retainers—top and bottom half.
ED-6C157-30 Group 31	601 415 169	One 4-inch (102 mm) H by 8-inch (203 mm) D upper horizontal jumper retainer.
ED-6C157-30 Group 74	601 458 219	Two 2-inch adapter brackets—for miscellaneous apparatus in bay frames.
ED-6C157-30 Group 75	601 458 227	Two 4-inch adapter brackets—for miscellaneous apparatus in bay frames.

**INSTALLING GROUPS 74 and 75 ADAPTER SETS**

Install the adapter set as shown in Figure 1 with four #12-24 by 0.375-inch (5.5 by 9.5 mm) screws provided.



**Figure 1. Installing Groups 74 and 75 Adapter Set**

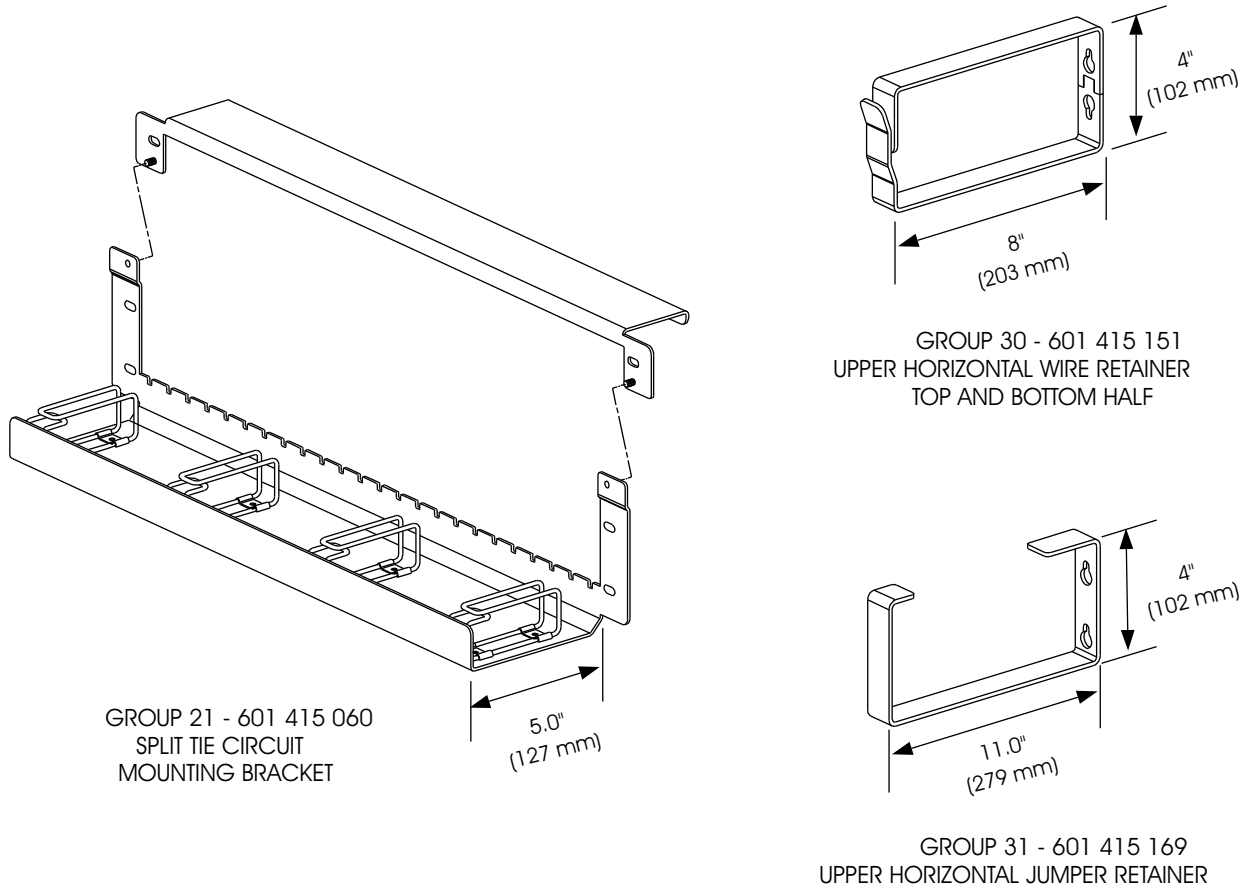
**SPECIAL APPLICATIONS**

The groups listed below and shown in Figure 2 are special applications that are available as part of ED-6C157-30.

Group 21: 601 415 060—Split tie circuit mounting bracket

Group 30: 601 415 151—Upper horizontal wire retainers - top and bottom half.

Group 31: 601 415 169—Upper horizontal jumper retainer.



**Figure 2. Groups 21, 30, and 31—Special Applications**