

Refer to Z-IDC Reference Manual, 201-205-001, for additional information.

## How to Contact Us

- To find out more about **Carrier Apparatus** products, visit us on the web at: <http://cw.commscope.com/>
- For technical assistance regarding Carrier Apparatus products: contact your local CommScope account representative or Commscope technical support at 1-800-344-0223.
- Report any missing or damaged parts to CommScope customer service in Omaha, Nebraska, at 1-866-539-2795.

## Application Notes

Provides Termination for earth connection to IDC. Twenty IDC positions permit single or two conductors of the same conductor gauge.

## Tools Required:

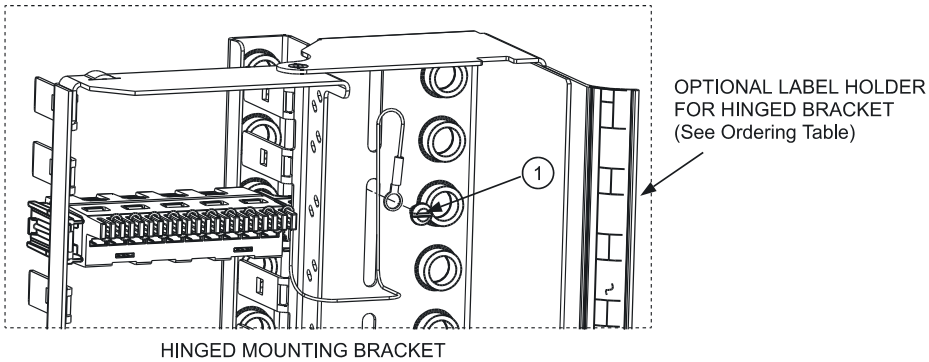
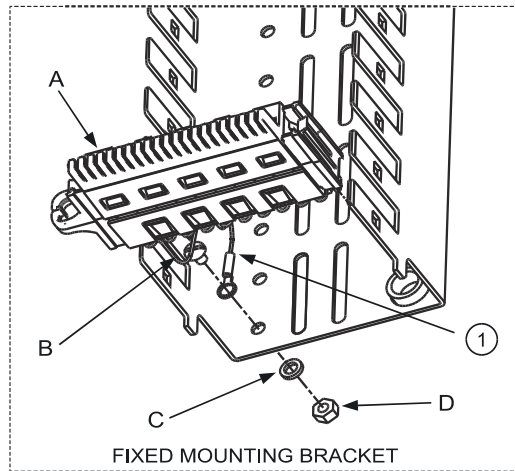
- Screwdriver, Flat
- Wrench, 8 mm
- Wire Insertion Tool–ZIDC-WT (Material ID 107 900 995) or Krone LSA Type

## Installation

To install Earth Connector Module:

1. Fasten Earth Connector Module lead to bracket using hardware provided, see Figure 1.

Figure 1. Installing Earth Connector Module



Item	Description
A	Earth Connector Module
B	M5 x 0.5 x 8 mm Screw
C	Lock Washer
D	M5 Nut

**Ordering Information**

Description	Apparatus Code	Material ID
Earth Connector Module, Red	ZIDC-E10-D01-A	107 665 481
Label Kit, 10 Position Hinged Bracket	ZIDC-HB10-A01	107 629 024
Label Kit, 8 Position Hinged Bracket	ZIDC-HB08-A01	107 629 040