

 **CAUTION:**

Spray cleaners can damage plastic parts. Do not apply any sprays or cleaners to this product that have not been approved. Be especially careful not to expose any plastic parts to chemicals containing trichlorethane, such as certain cleaning fluids and lubricant sprays.

**General**

This instruction sheet provides procedures for installing ground plates in a Digital Interconnect and Cross-Connect Interface (DIXI-1) panel.

**Ordering Information**

Application	Apparatus Code	Material ID	Description
DIXI-1	DIXI-GR1A	107 503 690	Ground plate to carry shielded pair ground terminations, 1.0 mm (0.040 in.) thick
	DIXI/4A1-0	107 972 292	Standard 4-circuit DIXI-1 connecting block.

**How to Contact Us**

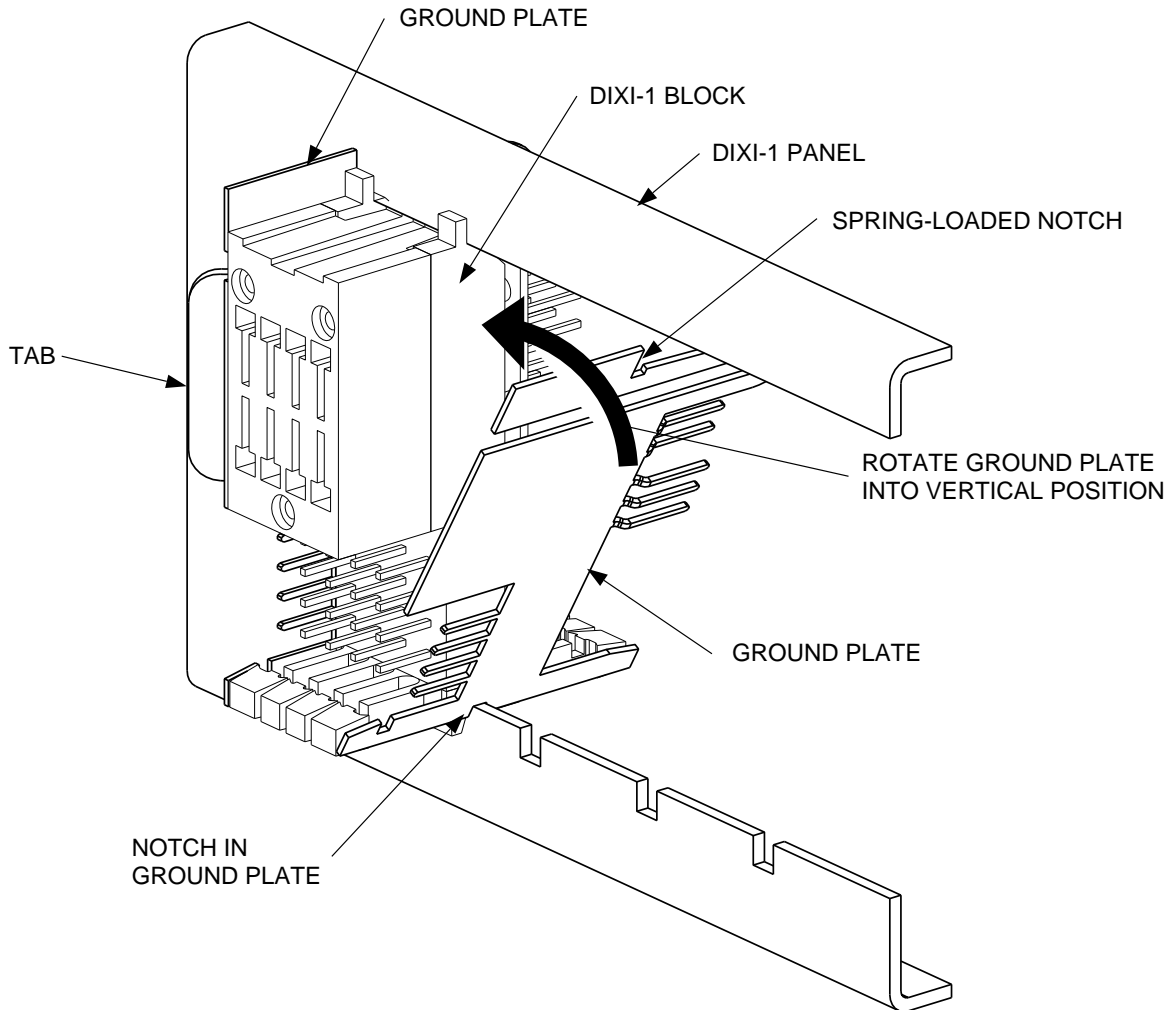
- To find out more about **Carrier Apparatus** products, visit us on the web at: <http://cw.commscope.com/>
- For technical assistance regarding Carrier Apparatus products: contact your local CommScope account representative or CommScope technical support at 1-800-344-0223.
- Report any missing or damaged parts to CommScope customer service in Omaha, Nebraska, at 1-866-539-2795.

**References**

- 365-301-121 — *DIXI-1 System Reference Guide*
- 365-301-121-1 — *DIXI-1 Connecting Block, Installation and Removal*
- 365-301-121-2 — *DIXI-1 Panel Assemblies, Installation and Cabling*
- 365-301-121-3 — *DIXI-1 Panel Assemblies with Ground Plate, Installation and Cabling*
- 365-301-121-5 — *Combined DIXI-1 and DDI Wall Mount Panel Assembly, Installation and Cabling*

**STEP 1—INSTALL GROUND PLATES IN DIXI-1 PANEL**

1. Position ground plate so that notch on bottom of plate is at lower edge of panel opening.
2. With plate turned at an angle, insert it into panel and rotate it up to a vertical position. The top of ground plate is formed so that it will fit against top edge of panel opening when positioned vertically. **Always start on left side of panel and work to the right when installing plates.**



**⇒ NOTE:**

All ground plates must be held in place, either between two DIXI-1 blocks or between a block and one of the tabs located at each end of panel. Ground plates can only be used in panels that are designed to accept the 1 mm (0.040 inch) thick plates between adjacent DIXI-1 blocks. They will not fit in conventional panels.