

Refer to Z-IDC Reference Manual, 201-205-001, for additional information.

## How to Contact Us

- To find out more about **Carrier Apparatus** products, visit us on the web at:  
<http://cw.commscope.com/>
- For technical assistance regarding Carrier Apparatus products: contact your local CommScope account representative or Commscope technical support at 1-800-344-0223.
- Report any missing or damaged parts to CommScope customer service in Omaha, Nebraska, at 1-866-539-2795.

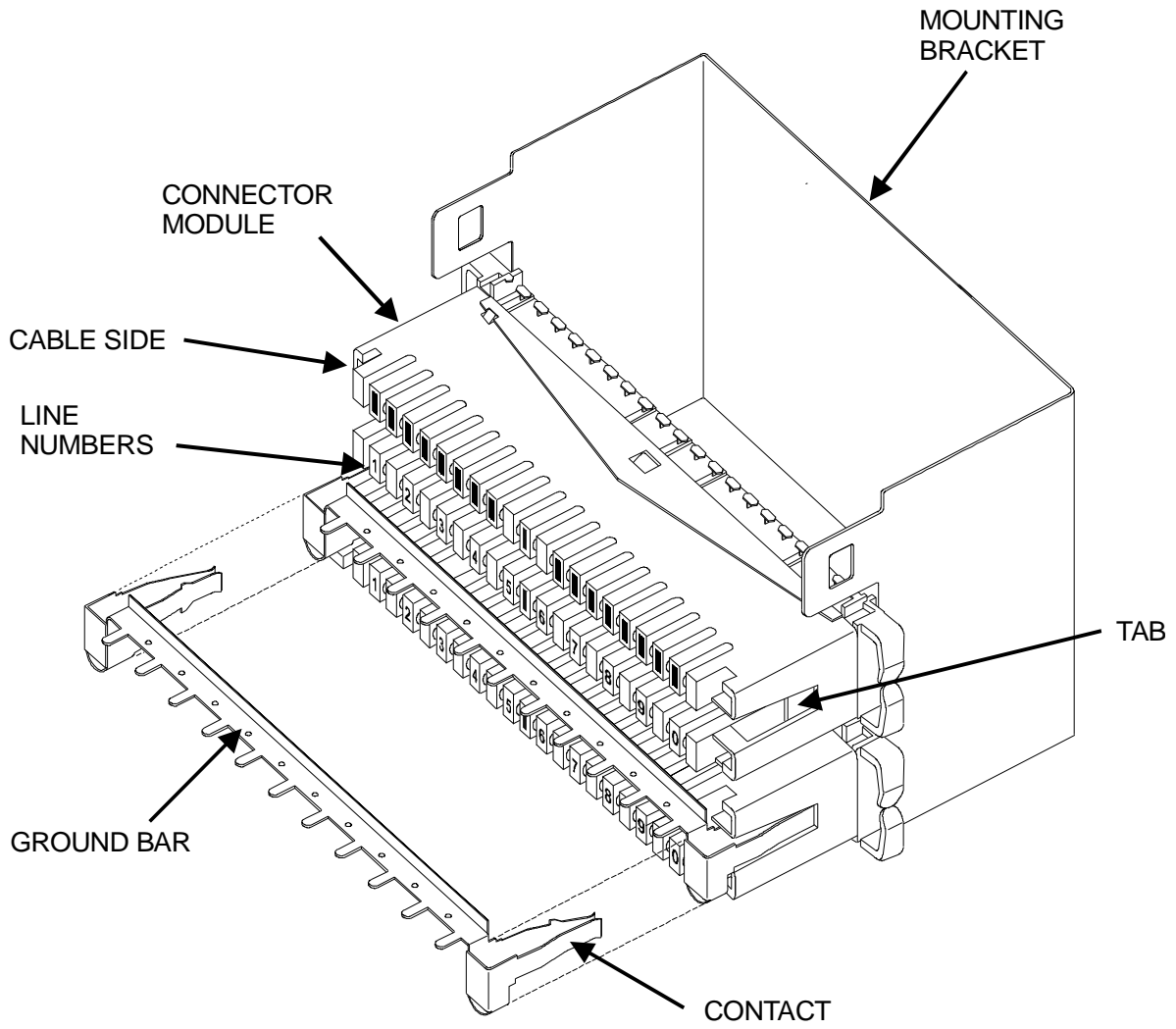
## Install Ground Bar on Connector Module

**Warning: Ground Bar must be installed for protection to be functional. Mounting Bracket/Frame must be grounded.**

1. Connector module must be installed on grounded mounting bracket.
2. Insert ground bar over cable side of module (black markings). Line numbers should not be covered.
3. Engage ground bar contacts around mounting bracket tabs.

**Material ID 847 922 234**  
**Instruction Sheet**

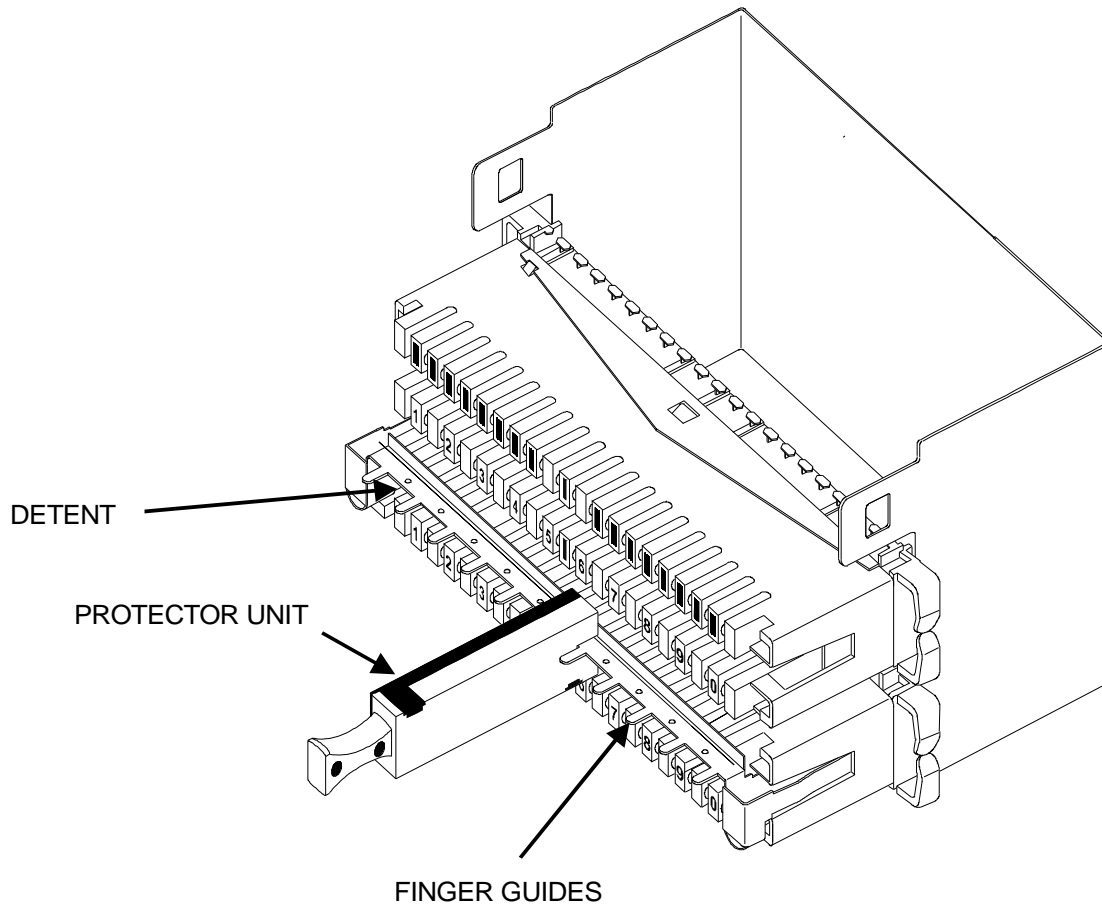
4. Press ground bar firmly to lock into connector module.



## Install Protector Unit on Connector Module

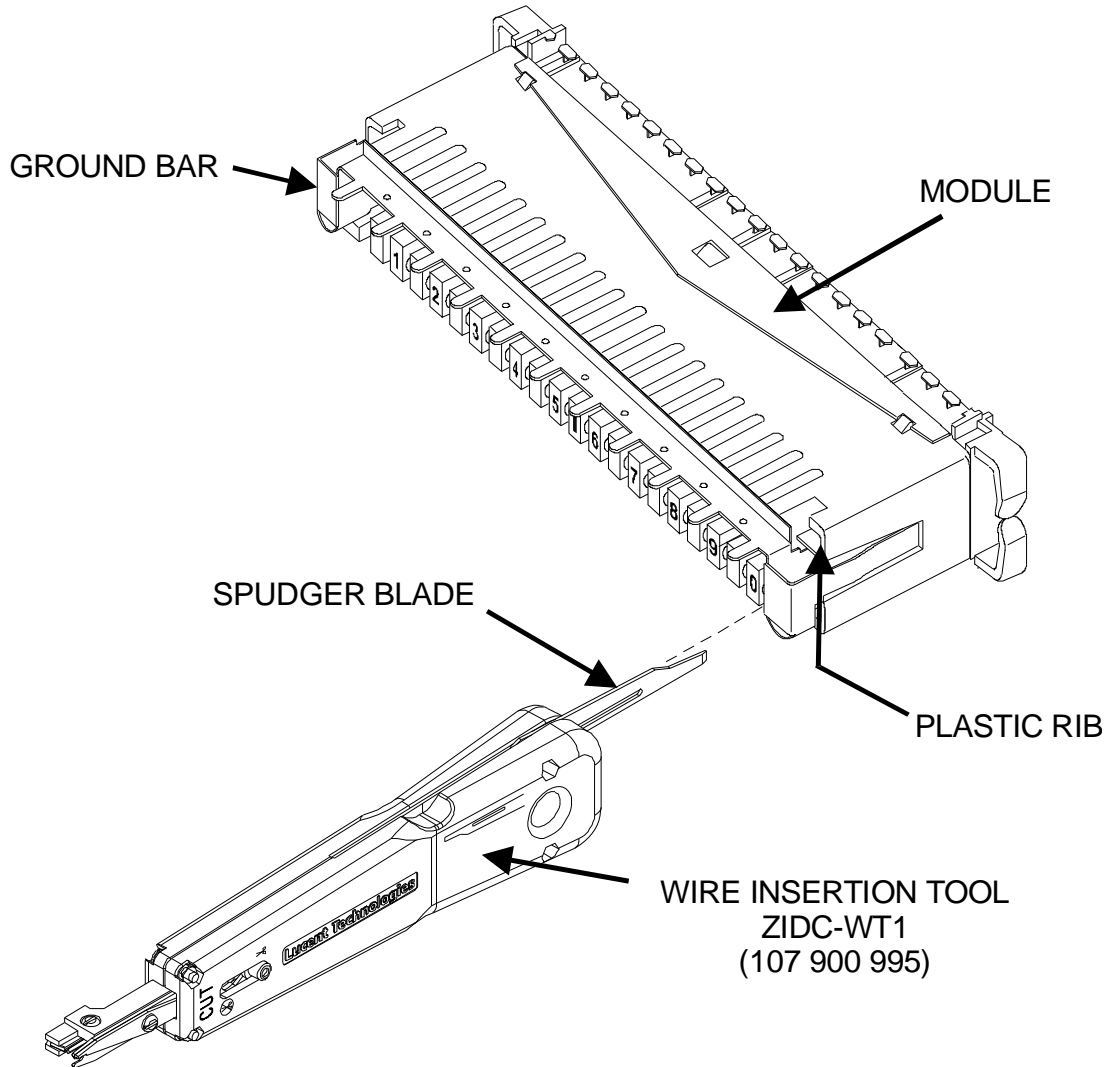
**Warning: White or black handle protector must be used for all protector features to function.**

1. Position protector unit against ground bar, between finger guides.
2. Click protector unit onto ground bar detent.



## Remove Ground Bar from Connector Module

1. Push spudger blade into slot on inside of ground bar contact, spreading plastic ribs.
2. While holding spudger in place, pull ground bar contact away from module. When contact is free, remove spudger blade.
3. Repeat for other side of ground bar.



## Ordering Information

Description	Apparatus Code	Material ID
Package of 10 ground bars, for single-pair protector units, fits Kröne 8-Pair module.	ZIDC-KGB-08-010	107 864 274
Package of 10 ground bars, for single-pair protector units, fits Kröne 10-pair module.	ZIDC-KGB-10-010	107 864 290