

## General

This instruction sheet provides procedures for installing the multimedia panel. It describes how to install modules in the panel and how to mount the panel on a wall or in a bay.

## Equipment Description

The multimedia panel provides a compact mounting location for four different mediums, specifically, DS0, DS1, DS3, and fiber. The panel can be installed on a wall, in a 19-inch (48.3 cm) bay, or in a 23-inch (58.4 cm) bay. The panel has knock-outs on the top and bottom that can be removed to facilitate cabling when wall mounted. The front panel can be hinged down to allow cable access to the rear of the modules.

## How to Contact Us

- To find out more about **Carrier Apparatus** products, visit us on the web at: <http://cw.commscope.com/>
- For technical assistance regarding Carrier Apparatus products: contact your local CommScope account representative or CommScope technical support at 1-800-344-0223.
- Report any missing or damaged parts to CommScope customer service in Omaha, Nebraska, at 1-866-539-2795.

## References

- 365-301-136, *Digital Distributing Frame—Performance Module Reference Guide*
- 365-301-125, *Bantam Plus™ DSX-1/1C System Reference Guide, Planning, Engineering, Installation, Operation and Maintenance*
- 365-301-120, *800-Series and 900-Series DSX-1/1C, Systems System Reference Guide*

## Tools Required

- Flat-blade screwdriver 0.1 to 0.2 inch (2.5 to 5 mm).

## Ordering Information

Apparatus Code	Material ID	Description
DSX-MM1-A1-EMP	107 917 155	Empty Multimedia Panel.

### Mounting the Multimedia Panel on a Wall

To mount the multimedia panel on a wall, refer to Figure 1 and proceed as follows:

1. Remove top and/or bottom knockouts (as desired) to accommodate cabling.
2. Position multimedia panel on wall and secure using six No. 12-3/4 inch (1.9 cm) round head wood screws (not provided).

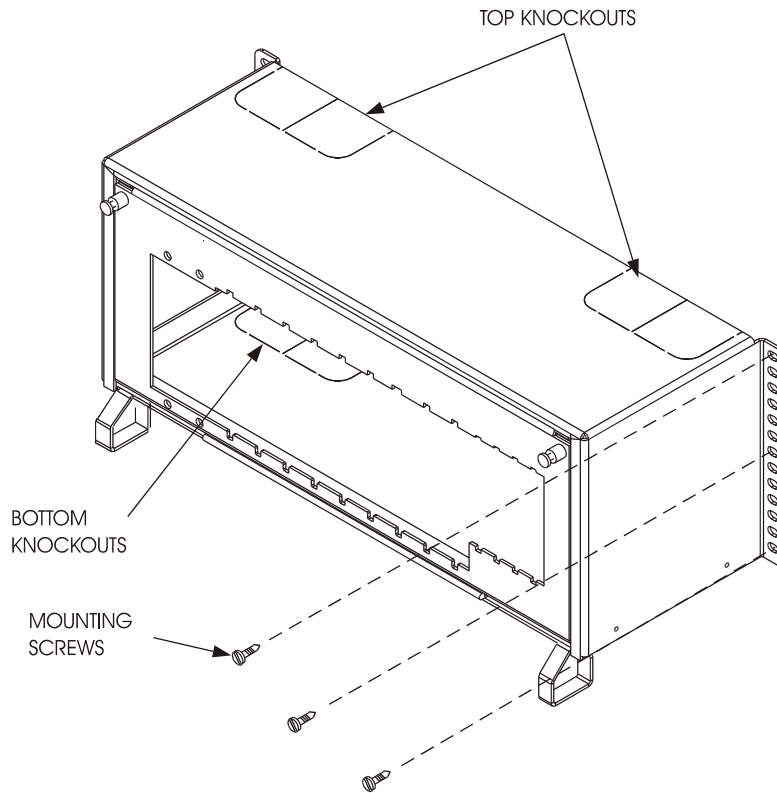


Figure 1. Mounting the Multimedia Panel on a Wall

### Installing the Multimedia Panel in a 19-inch (48.3 cm) Bay

To mount the multimedia panel in a 19-inch (48.3 cm) bay, mount the panel from the rear of the frame using six No. 12-3/8 inch (1.0 cm) screws provided (see Figure 2). The top and bottom knockouts do not have to be removed.

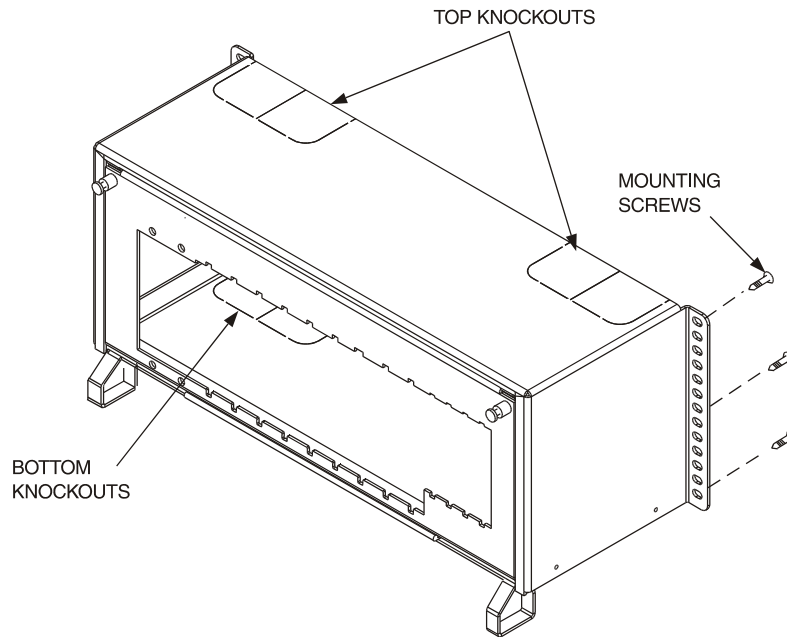


Figure 2. Installing Multimedia Panel in 19-Inch (48.3 cm) Bay

### Installing the Multimedia Panel in a 23-inch (58.4 cm) Rack

To mount the multimedia panel in a 23-inch (58.4 cm) bay, refer to Figure 3 and proceed as follows:

1. Install 23-inch (58.4 cm) adapter brackets on each side of the multimedia panel using six No. 10-3/8 inch (1.0 cm) PHMS screws provided.
2. Mount the multimedia panel from the rear of the frame using six No. 12-3/8 inch (1.0 cm) screws provided. The top and bottom knockouts do not have to be removed.

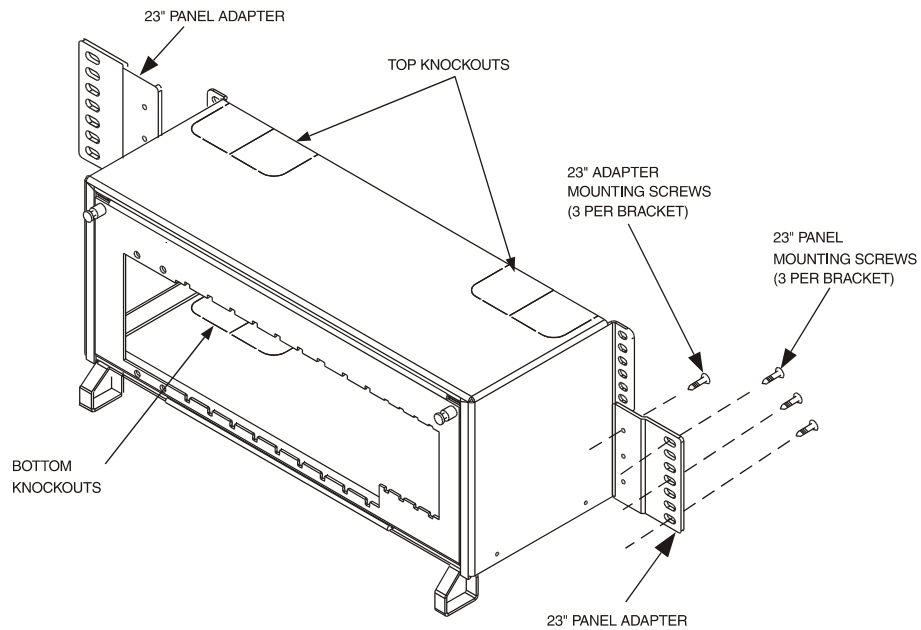
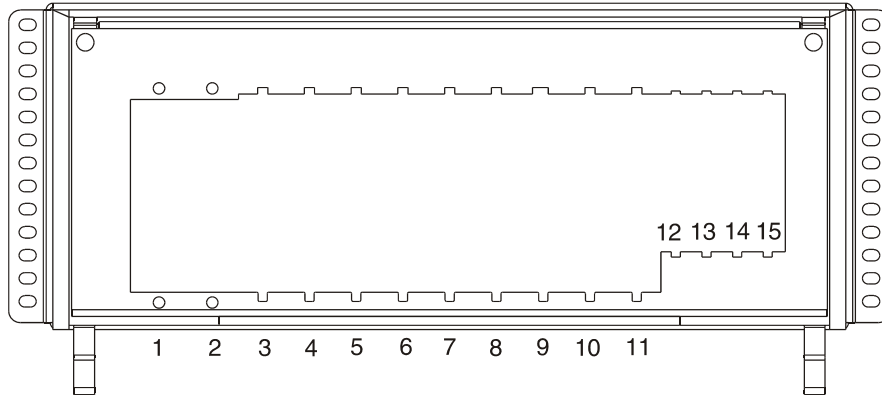


Figure 3. Installing Multimedia Panel In 23-Inch (58.4 cm) Rack

## Module Positions

Install modules in the multimedia panel as desired, in accordance with the slot position guide shown in Figure 4. multimedia panel modules are shown in Figure 5.



Slot positions 1 and 2 can be used for two six packs or one 12 pack fiber module or three DDF modules with the adapter plate.

Slot positions 3 thru 11 can be used for four pack staggered Bantam modules.

Slot positions 9 thru 11 can be used for one 50 circuit 800 series tie block.

Slot positions 12 thru 15 are used for four DDF modules.

**Figure 4. Module Positions**

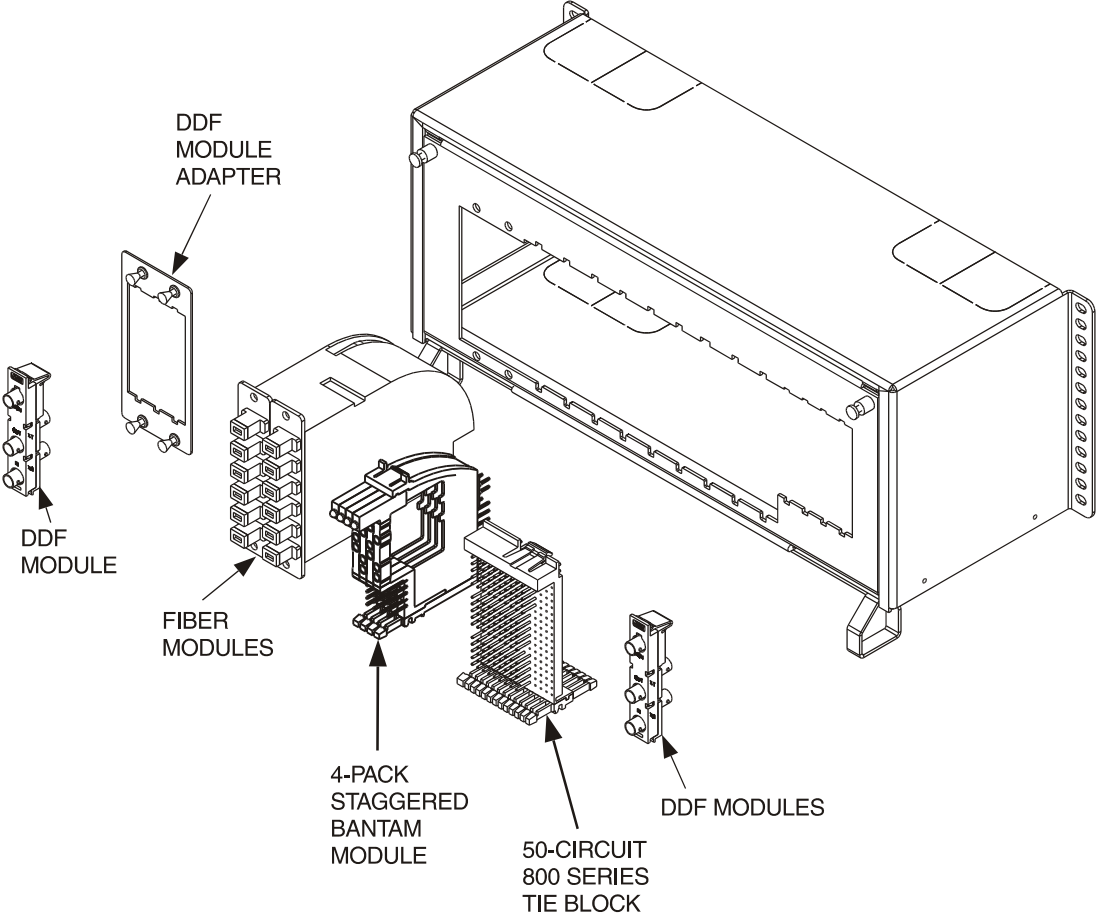


Figure 5. Modules