

WLR SERIES CABINET

WLR36AKP1VVV-X WALLMOUNT CABINET

REVISIONS			
REV	ECO	DATE	DESCRIPTION
--	--	--	RELEASED TO PRODUCTION

DIMENSIONS FRAME WALLMOUNT
 DUAL SWING-OUT
 HEIGHT 36.00"
 WIDTH 23.25"
 DEPTH 24.00"

RAIL TYPE L-TYPE RAILS (19U'S)
 10-32 DRILLED AND TAPPED
 19" RACKABLE
 ADJUSTABLE

SUB-PANEL OPEN BACK
 W/CABLE ACCESS K/O'S (TOP/BTM)
 HEIGHT 36.00"
 WIDTH 23.25"
 DEPTH 4.00"

DOOR FRONT DOOR RECESSED
 PLEX
 HEIGHT 34.00"
 WIDTH 20.00"
 DEPTH 0.63"

SIDES VENTED

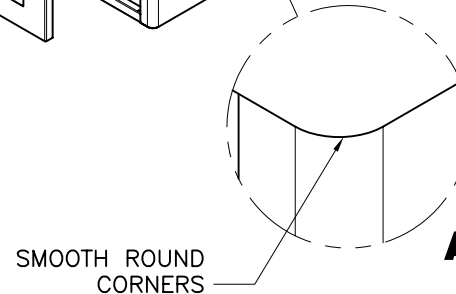
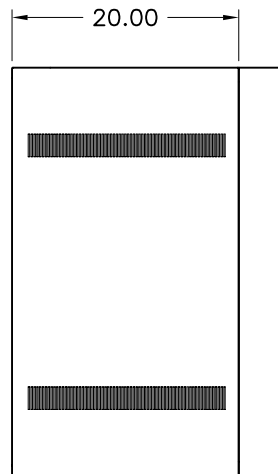
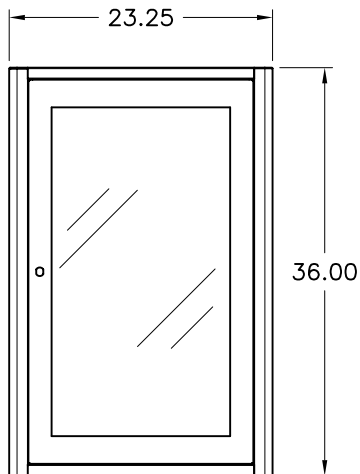
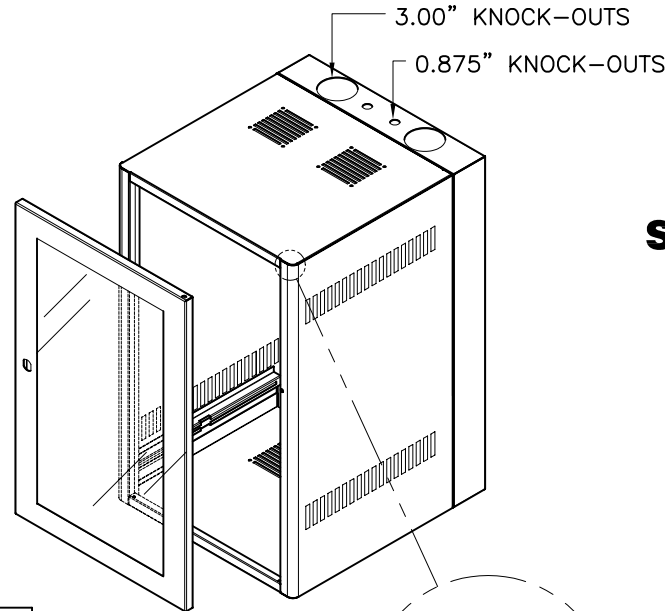
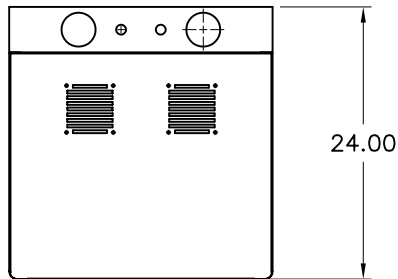
TOP VENTED

BOTTOM VENTED

ACCESSORIES NONE

CAPACITY 125 LBS.

FINISH POWDER
 COATED COLOR



ALL INFORMATION ARE PROPRIETARY DATA OF DAMAC PRODUCTS INC. ANY REPRODUCTION/USE IN ANY FORM MUST HAVE PRIOR WRITING AGREEMENT W/ DAMAC.
 TOLERANCE .XXX±.010 .XX±.030 .X±.080 (DEC)±.5
 ALL DIM. ARE IN INCHES UNLESS OTHERWISE SPECIFIED

WALL MOUNT, WLR
 36.00 x 23.23 x 24.00
 SMOOTH CORNERS

PART NO.
WLR36AKP1WV
 DRAWN BY: AP DATE: 03.16.2006

CHECKED BY: CR
 SCALE: N/A
 SHEET: 1 OF 1

MATERIAL: N/A
 FINISH: POWDER-COATED
 MAX BEND R=.030, RELIEF=.060 A/R
 UNLESS OTHERWISE SPECIFIED