

WLR SERIES CABINET

WLR48AKP1VVV-X WALLMOUNT CABINET

REVISIONS			
REV	ECO	DATE	DESCRIPTION
--	--	--	RELEASED TO PRODUCTION

DIMENSIONS FRAME WALLMOUNT
 DUAL SWING-OUT
 HEIGHT 48.00"
 WIDTH 23.25"
 DEPTH 24.00"

RAIL TYPE L-TYPE RAILS (26U'S)
 10-32 DRILLED AND TAPPED
 19" RACKABLE
 ADJUSTABLE

SUB-PANEL OPEN BACK
 W/CABLE ACCESS K/O'S (TOP/BTM)
 HEIGHT 48.00"
 WIDTH 23.25"
 DEPTH 4.00"

DOOR FRONT DOOR RECESSED
 PLEX
 HEIGHT 46.00"
 WIDTH 20.00"
 DEPTH 0.63"

SIDES VENTED

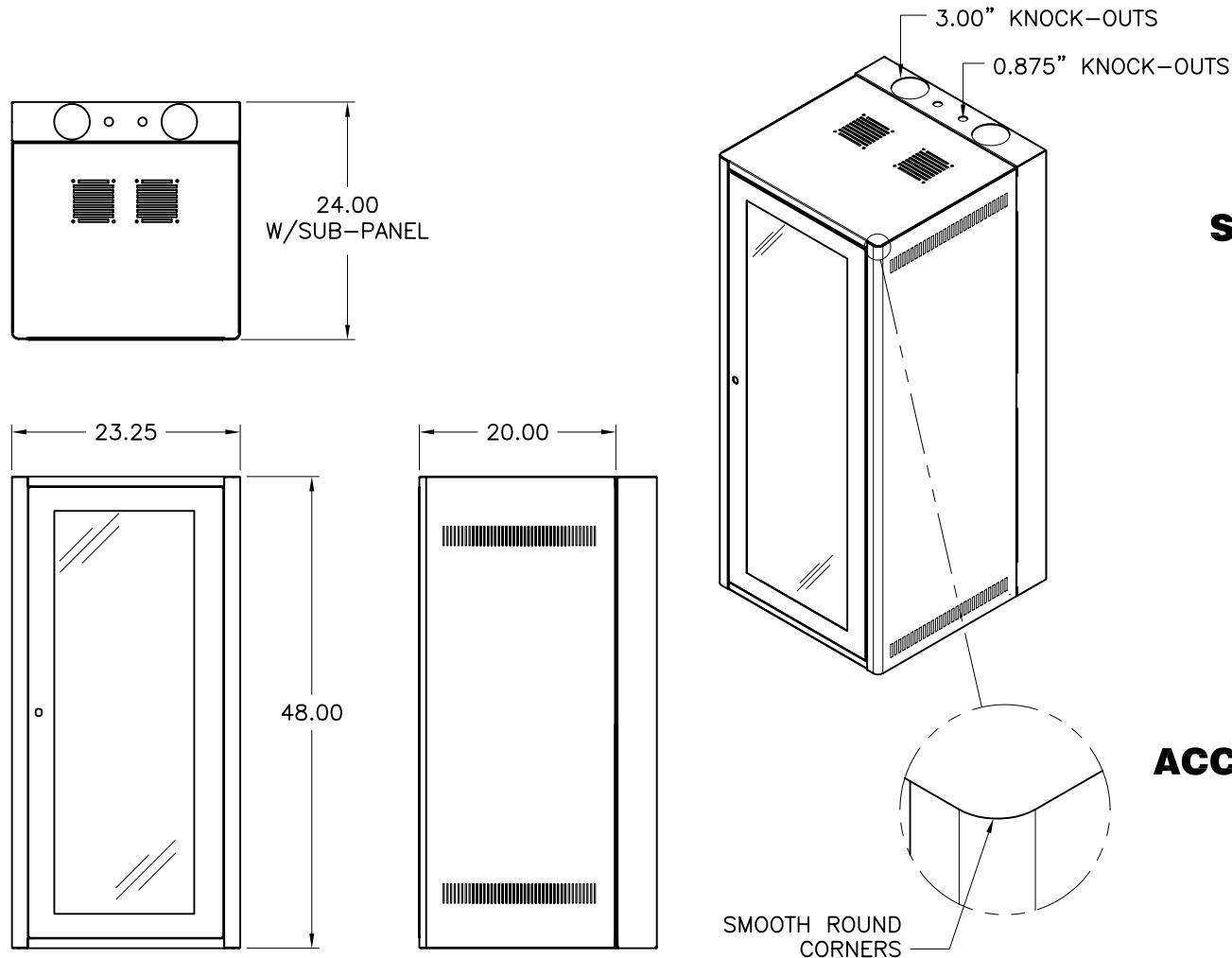
TOP VENTED

BOTTOM VENTED

ACCESSORIES NONE

CAPACITY 125 LBS.

FINISH POWDER
 COATED COLOR



DAMAC PRODUCTS INC. LA MIRADA, CA 90638	ALL INFORMATION ARE PROPRIETARY DATA OF DAMAC PRODUCTS INC. ANY REPRODUCTION USE IN ANY FORM MUST HAVE PRIOR WRITING AGREEMENT W/ DAMAC. TOLERANCE .00X±.010 .0X±.030 .X±.080 (DEC)±.5 ALL DIM. ARE IN INCHES UNLESS OTHERWISE SPECIFIED	WALL MOUNT, WLR 48.00 x 23.23 x 24.00 SMOOTH CORNERS	PART NO. WLR48AKP1WW	CHECKED BY: CR	SCALE: N/A	MATERIAL: N/A
			DRAWN BY: AP	DATE: 03.16.2006	SHEET: 1 OF 1	REV: --