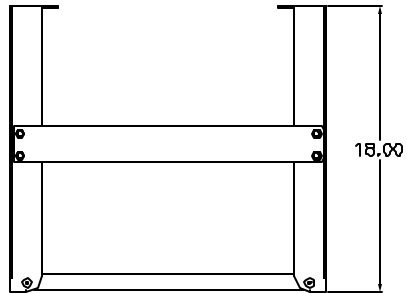
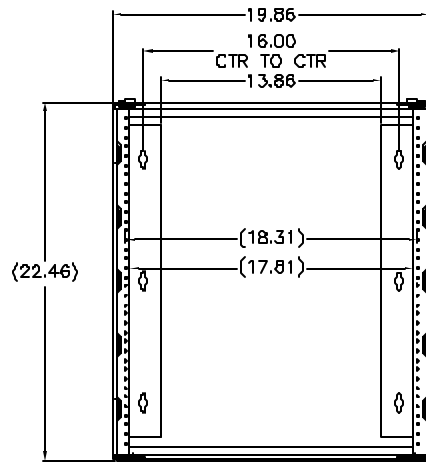


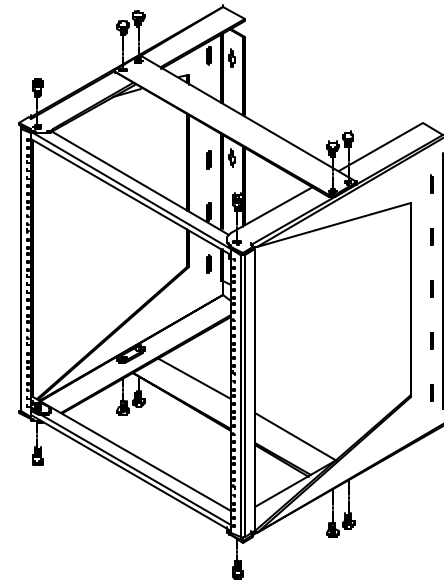
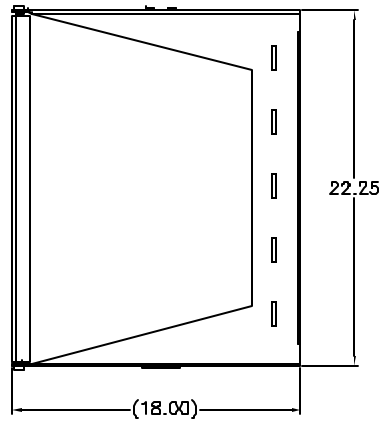
TOP VIEW



FRONT VIEW



SIDE VIEW



<b>DAMAC</b> PRODUCTS INC. LA MIRADA, CA, 90638	ALL INFORMATION ARE PROPRIETARY DATA OF DAMAC PRODUCTS INC. ANY REPRODUCTION/USE IN ANY FORM MUST HAVE PRIOR WRITING AGREEMENT W/ DAMAC. TOLERANCE .004+.010 .004+.010 .004+.010 IDEAL 4.5 ALL DIM. ARE IN INCHES UNLESS OTHERWISE SPECIFIED	FILE WALL MOUNT SWING-OUT 24.00" x 19.86" x 18.00"	PART NO. <b>WR24S</b>	CHECKED BY RG	SCALE N/A	MATERIAL: PER BDM FINISH: RAW(NDN-FINISHED). MAX BEND R=.030. RELIEF=.060 A/R. UNLESS OTHERWISE SPECIFIED
			DRAWN BY AP	DATE 10.27.00	SHEETS 1 OF 1	