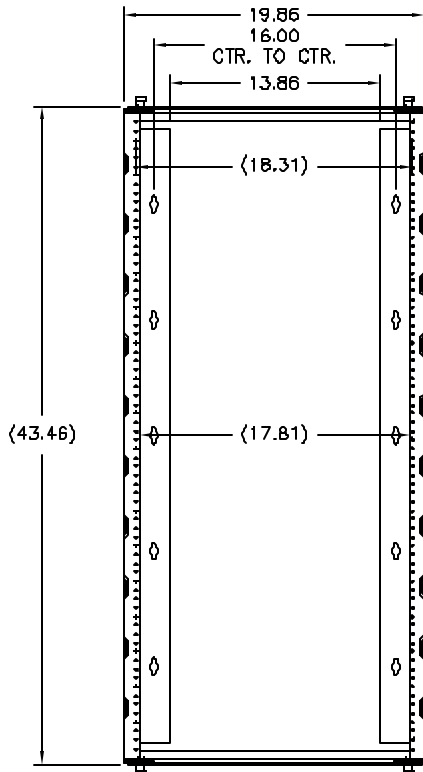
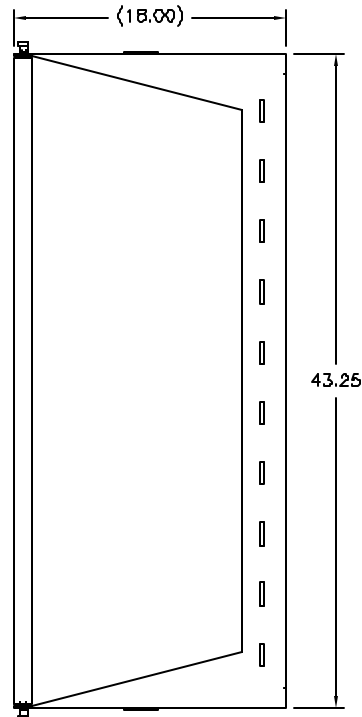


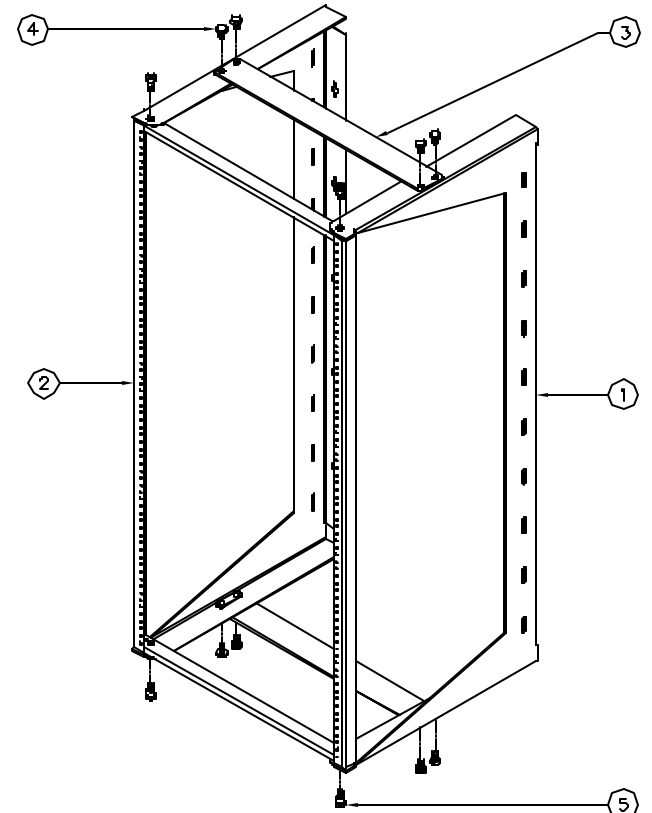
TOP VIEW



FRONT VIEW



SIDE VIEW



ISOMETRIC VIEW

ITEM	PART NO	DESCRIPTION	QTY
5	HD-29109	BOLT, SHOULDER, 3/8-16	4
4	HD-29114	BOLT HEX., 3/8-16 x 1/2	8
3	MT-36026	BRACKET, FRAME BRACING	2
2	MT-370181	MOUNTING RAIL, SWING-OUT	1
1	MT-16010	FRAME, SWING-OUT, 43.25"x18.00"	2



ALL INFORMATION ARE PROPRIETARY DATA OF DAMAC PRODUCTS INC. ANY REPRODUCTION/USE IN ANY FORM MUST HAVE PRIOR WRITING AGREEMENT W/ DAMAC.  
 TOLERANCE .004+.010 .004+.010 .004+.010 .004+.010  
 ALL DIM. ARE IN INCHES UNLESS OTHERWISE SPECIFIED

WALL MOUNT SWING-OUT  
 43.25x19.86x18.00

PART NO. WR48S  
 DRAWN BY: DATE: CR 11.29.2000

CHECKED BY: RG  
 SCALE: N/A  
 SHEET: 1 OF 1  
 REV: A

MATERIAL: AS NOTED.  
 FINISH: RAW (NDN-FINISHED).  
 MAX BEND R=.030. RELIEF=.060 A/R.  
 UNLESS OTHERWISE SPECIFIED