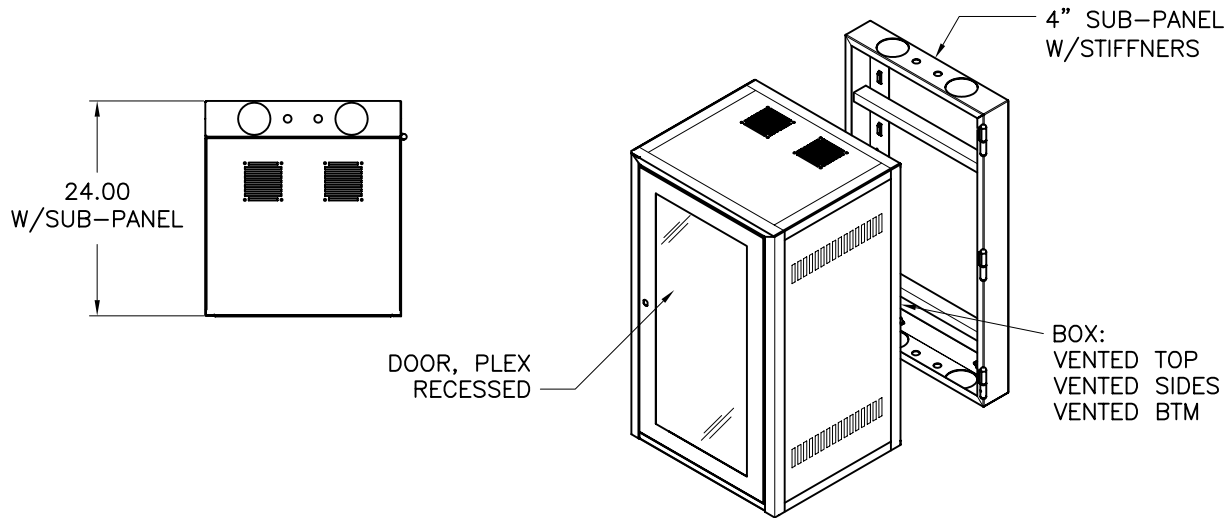


WS SERIES CABINET

WS36AKP1VVV-X WALLMOUNT CABINET



DIMENSIONS FRAME WALLMOUNT
 DUAL SWING-OUT
 HEIGHT 36.00"
 WIDTH 22.00"
 DEPTH 24.00"

RAIL TYPE L-TYPE RAILS
 10-32 DRILLED AND TAPPED
 19" RACKABLE
 ADJUSTABLE

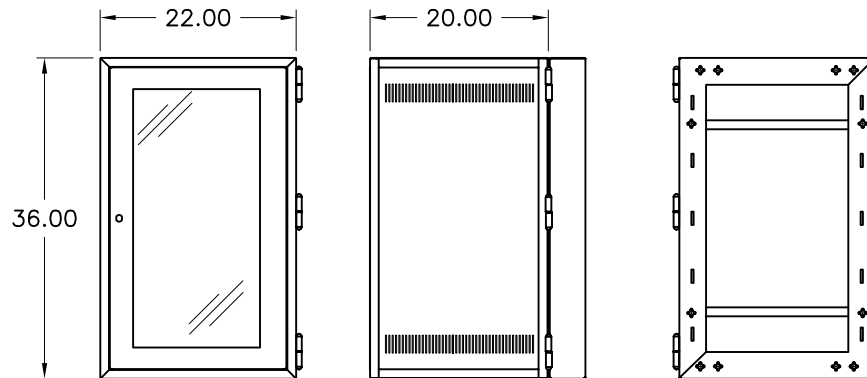
SUB-PANEL OPEN BACK
 W/CABLE ACCESS K/O'S
 HEIGHT 36.00"
 WIDTH 22.00"
 DEPTH 4.00"

DOOR FRONT DOOR
 PLEX RECESSED
 HEIGHT 34.00"
 WIDTH 20.00"
 DEPTH 0.63"

SIDES VENTED

TOP VENTED

CAPACITY 300 LBS.



ALL INFORMATION ARE PROPRIETARY DATA OF DAMAC PRODUCTS INC. ANY REPRODUCTION/USE IN ANY FORM MUST HAVE PRIOR WRITING AGREEMENT W/ DAMAC.
 TOLERANCE .00X±.010 .00X±.030 .X±.080 (DEC)±.5
 ALL DIM. ARE IN INCHES UNLESS OTHERWISE SPECIFIED

WALLMOUNT, CABINET
 36.00 x 22.00 x 24.00
 DUAL SWING-OUT

PART NO.
WS36AKP1VW-X
 DRAWN BY: AP DATE: 02.02.2005

CHECKED BY: RG
 SCALE: N/A
 SHEET: 1 OF 1
 REV: --

MATERIAL: N/A.
 FINISH: RAW(NON-FINISHED).
 MAX BEND R=.030, RELIEF=.060 A/R.
 UNLESS OTHERWISE SPECIFIED