

New! Canary Uni-Directional Media Conversion

Featuring:

- One-Way Fiber Port Transmission ▪ Auto-Cross RJ-45 Port ▪
- Switch-Selectable Auto-Negotiation or Forced RJ-45 Configuration ▪
- **Special Order Single-Mode CWDM Transceivers for Multiple Channel Transport** ▪

Canary **CFT-206XD** and **CFT-206XDR** Uni-Directional, Fast Ethernet Media Converters are designed for one-way data transmission across a single fiber strand. Standard duplex SC and ST Fiber connectors are utilized with their Full-Duplex function disabled.

Optimized for environments where two-way communications is undesirable, Canary *Uni-Directional*, Converters implement factory changes that are irreversible after configuration. No on-board external/internal switches or jumpers are usable to restore bi-directional operation either before or after installation. Simply changing Fiber optic connectors will not re-enable bi-directional operation.

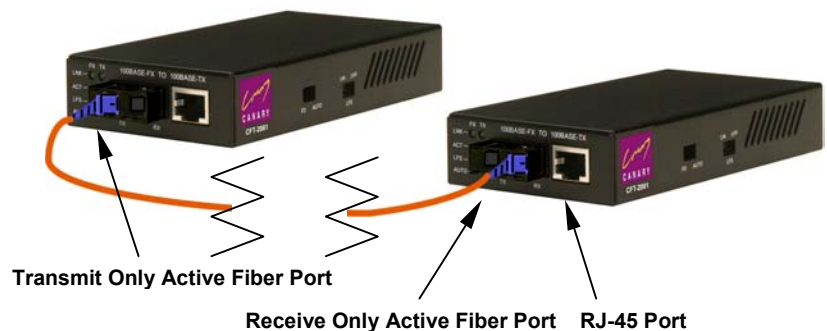
The Fast Ethernet RJ-45 port is Switch-Selectable to allow a choice of *Forced Full-Duplex* or *Auto-negotiated* twisted-pair connections with other network devices. Even if Full-Duplex links are established at the UTP interface, they never actually transport full-duplex traffic.

CFT-206XD & **CFT-206XDR** converters also support multi-channel, parallel transmission over a single Fiber strand by using CWDM techniques. Each channel is transported via its own dedicated wavelength.

Making optimal use of state-of-the-art integrated circuits and surface-mount technology, Canary has created exceptionally reliable, tamper-resistant, low-cost single-purpose converters.

Design documentation for these units is retained in a separate, secured factory location.

CFT-206XD & CFT-206XDR Uni-Directional Ethernet Media Converters



▪ **Simple, Plug-and-Go, UTP and Fiber Connections:**

Simply connect the Transmit (Tx) port of the CFT-206XD to the Receive (Rx) port of the CFT-206XDR using a single Fiber strand; then connect and configure the RJ-45 port of each device with their associated host and secure, one-way data transmission .

▪ **Highly Flexible Switch/Network Configuration:**

A selection of Duplex Fiber connectors including multi-mode and long-range Single-Mode, expand customer access and utilization of existing fiber installations. Uni-Directional CFT-206XD/ CFT-206XDR converters can also be special ordered in versions compatible for mounting in a standard Canary 16-Slot, CCM-1600 Media Converter chassis.

▪ **Unparalleled network integration and versatility:**

Combine multiple, one-way data channels into *virtual trunks* for parallel transport over a single Fiber strand using CWDM (Coarse Wavelength Division Multiplexing) transceivers paired with optical multiplexers, or create CWDM wavelength based, optical VLANs. Simply make additional Copper and Fiber connections to increase the number of active one-way Links across an existing Fiber strand. *Easy Expansion!*

Main Features:

Standards:

- IEEE: 802.3u

Interfaces:

- One 100BASE-FX Port
- One 100 BASE-TX RJ-45 Port

Networking:

- 100 BASE-TX / RJ-45 Port : Switch Selectable for: Auto-negotiation and Forced (hard-Set) mode
- Fiber port:
CFT-206XD: Transmit (Tx) only
CFT-206XDR: Receive (Rx) only
- Fiber Connector Types: X = 1 ~ SC, X = 2 ~ ST

Management:

- No management access to internal functions

Power:

- 100 ~ 240 VAC Auto-ranging Power input
- +5 VDC Power Output

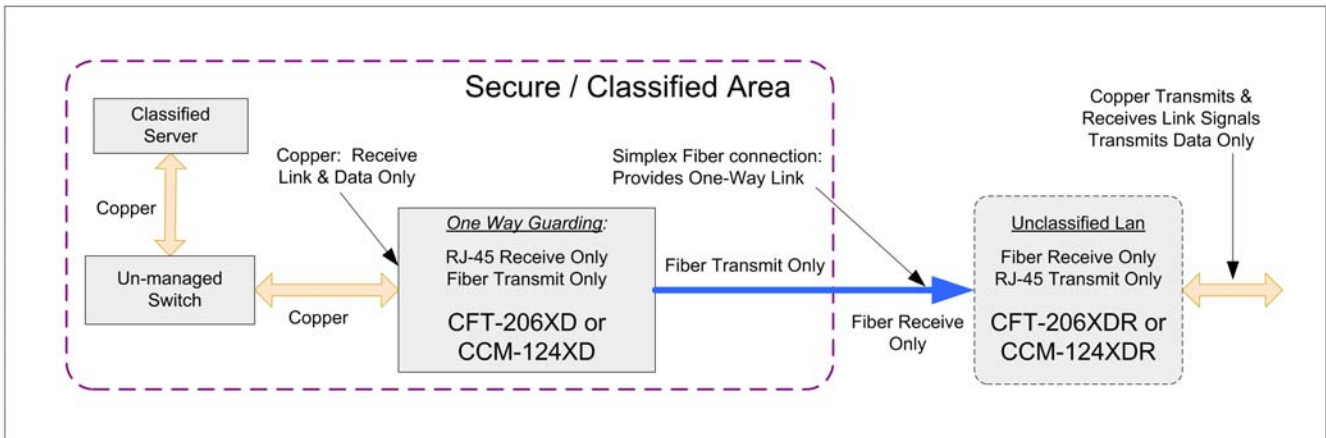
Mechanical & Environmental:

- Desktop unit
- Operating temperature: 0°C~50°C



Specifications:

Standards:	IEEE 802.3u	100BASE-FX/TX	Max Distances:	Fiber Optic: Up to 110 km (s/m)
	IEEE 802.1d	Spanning Tree Compatible		RJ-45 : 100 m
	IEEE 802.1q	VLAN Compatible	Power:	Input: 100 ~ 240 VAC,
	IEEE 802.3x	Flow Control Compatible	Temperature:	Operating: 0° C to 50° C Storage: -20° C to 70° C
Ports:	[1] 100BASE-FX		Humidity:	Operating: 10% to 80% RH Storage: 5% to 90% RH
	[8] 10/100BASE-T/TX (RJ-45)		Emissions:	FCC Part 15 of Class A & CE Approved
	[1] Serial RS-232 Console (RJ-45)		Safety:	EN 60950
Throughput:	74,400 + Packets per Second (pps) thru 100 Mbps RJ-45 port (one-way transmission)		Dimensions:	5.75 in. X 2.85 in. X 1.00 in. (D x W x H) [14.61 x 7.24 x 2.54 cm] (D x W x H)
			Weight:	2.6 lb. (1.2 Kg) (shipping wt.)



Warranty Information

Canary Communications warrants the CFT-206XD & CFT-206XDR to be in good working order for the period of FIVE YEARS from the date of purchase from Canary or an authorized Canary reseller. Should the CFT-206XD & CFT-206XDR fail anytime during said FIVE-YEAR period, Canary will, at its option, replace or repair the product.

This Warranty is limited to defects in workmanship and materials and does not cover damage from accident, disaster, misuse, abuse, or unauthorized modifications.

Under no circumstances will Canary Communications be liable for any damages incurred by the use of this product. This includes but is not limited to: lost profits, lost savings, and any incidental or consequential damages arising from the use of or inability to use this product.

If the product was purchased from an authorized Canary dealer, limited warranty service may be obtained by returning the product to the dealer. Return the product in its original shipping container (or equivalent), pre-insured, and with proof of purchase.

Canary Communications specifically disclaims all other warranties, express or implied. The installation or use of the CFT-206XD & CFT-206XDR shall imply acceptance of the above terms. CANARY COMMUNICATIONS, INC. reserves the right to make changes in specifications and other information contained in this document without prior notice. The reader may contact CANARY to determine if any such changes have been made.

For more information please visit us at:

www.canarycom.com

info@canarycom.com

