

Rack-mountable termination and protection for telephony networks .

**FEATURES & BENEFITS**

- UL497 Listed for Primary Protection.
- Designed to be installed on industry standard 23” x 6” deep relay rack.
- 1800-pair can be mounted on a 7 ft. rack with a cross-connect field
- 2400-pair can be mounted on a 7 ft. rack, but without the cross-connect fields.
- All mounting hardware included with wire management guides.
- External, front mounted grounding lugs allows the “daisy chaining” units together on frame.
- Separate 110 (or other) cross- connect field can be mounted on the output side of the rack.
- Compatible with all industry standard 5-pin style protector modules.



Front

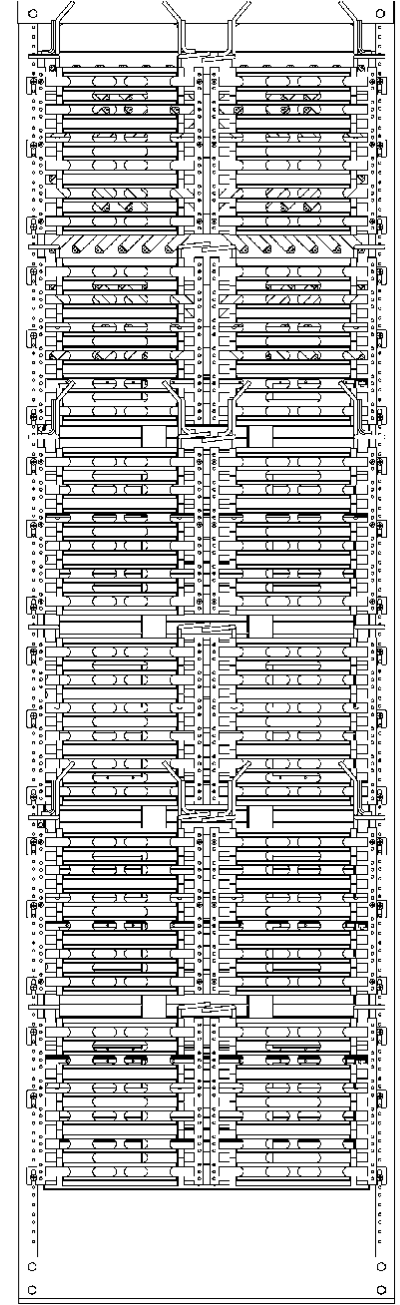
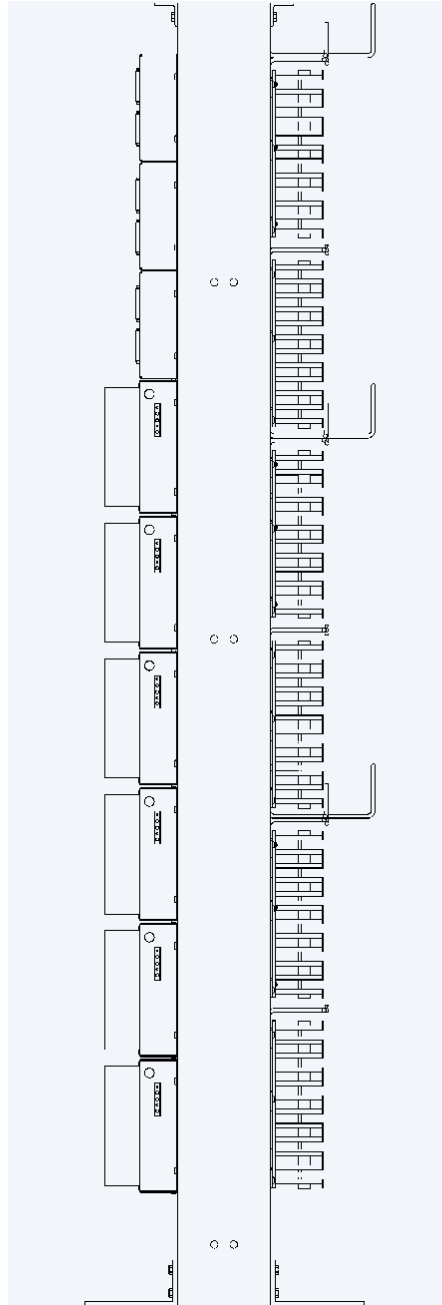
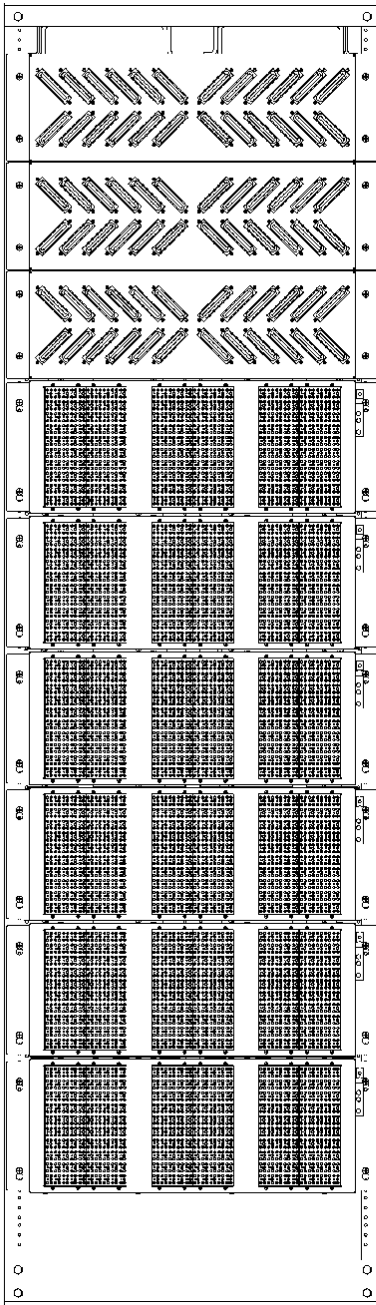
Back

**ORDERING INFORMATION**

MODEL#	PAIRS	INPUT	OUTPUT
28300-ST-MRJF	300	Three 100 pair 26' guage 25 ft. Cables	12 Cables w/Female RJ21's
28300-ST-M110U*	300	Three 100 pair 26' guage 25 ft. Cables	300-pair 110 connection block
12RJ110MU*	300	12 Cables w/Male RJ21's	300-pair 110 connection block
24RJ110MU*	600	24 Cables w/Male RJ21's	600-pair 110 connection block
12RJ110FQU	300	Panel Mounted w/Female RJ21's	300-pair 110 connection block
24RJ110FQU	600	Panel Mounted w/Female RJ21's	600-pair 110 connection block
UWMB110	N/A	Mounting Bracket for two 300 pair 110 connection blocks with wire guides	

\*Custom Stub lengths also available

# Series 281800-ST-M110X

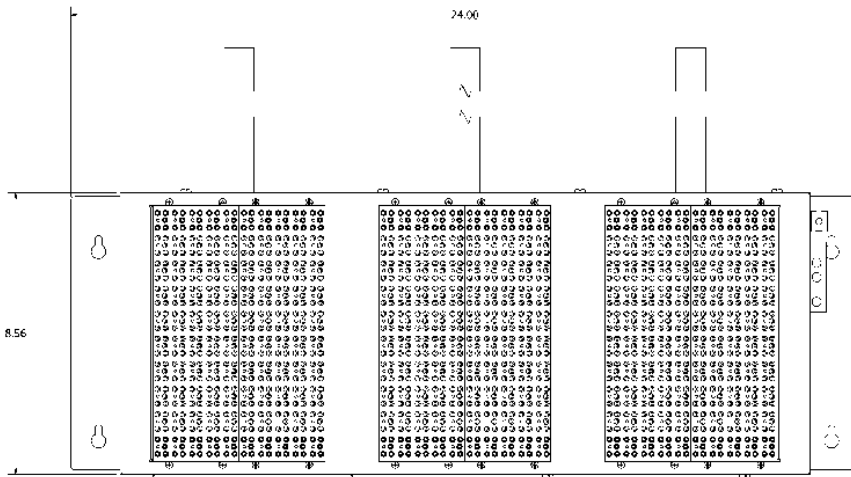


- 1800 Pairs on standard 7'x 23"x6" high density rack
- RJ21 connector panels provide quick connection to equipment cabling

- XLBET's connect to cross connect block using RJ21 connectors for easy installation
- Input cabling can be routed through the top or bottom of the rack

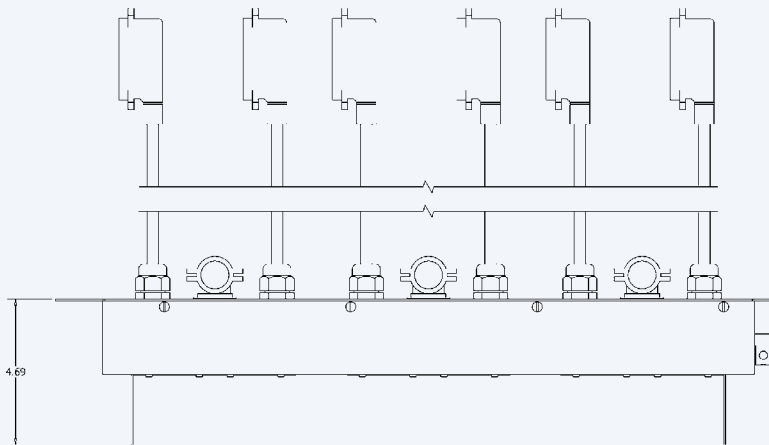
- 110 connector blocks provide cross connect from protected outside plant to connectorized equipment cabling
- Other forms of cross connect blocks can be provided including 66 blocks

# XLBET

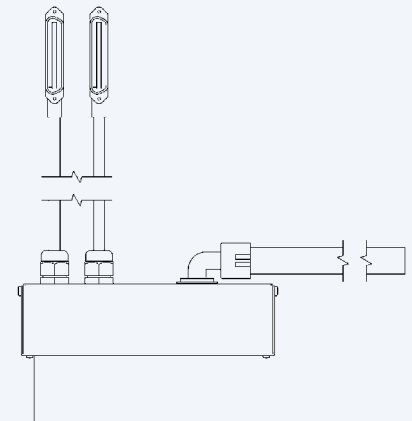


Front View

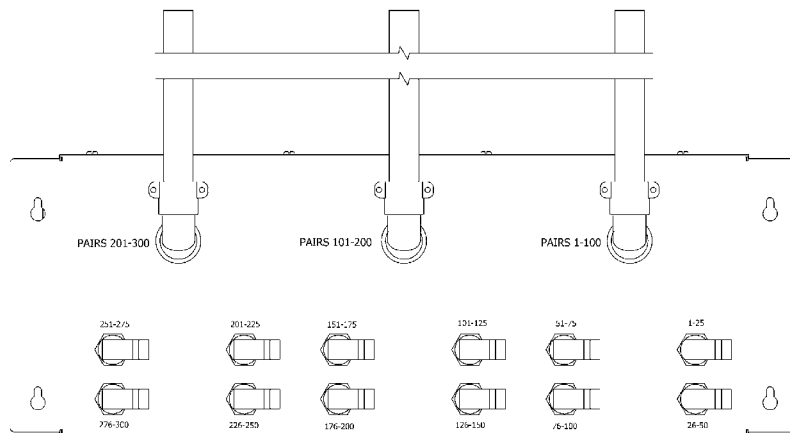
- 300 Pairs
- 5 U Space on 23" Rack up to 2400 pair on one rack (1800 with cross connects)
- Utilizes industry standard 5-Pin protectors
- Large ground lug for easy connection of all units with facilities ground points



Top View



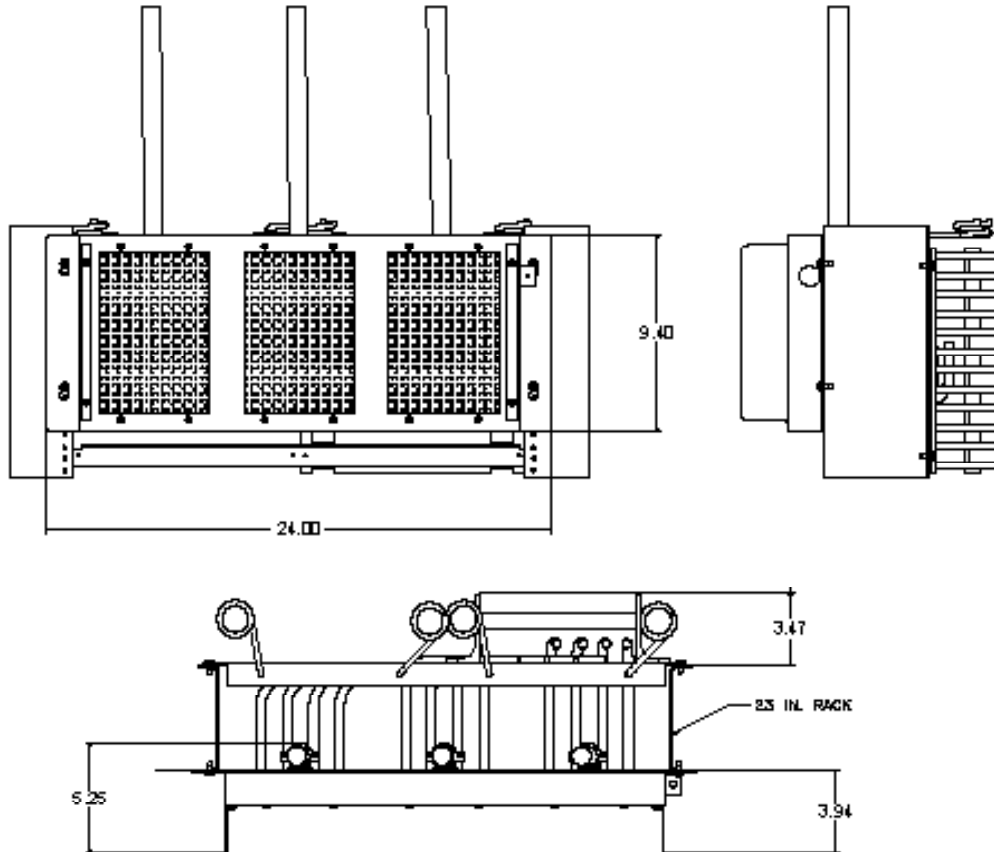
Side View



Back View

- Three 100 pair 26 awg input cables provide fusible link
- Custom stub lengths available
- Twelve 25 pair 24 awg output cables connectorized with female RJ21 connectors
- Output stubs connect easily with cross connect blocks
- Output stubs can be made to custom cable lengths for direct equipment cabling

**MECHANICAL SPECIFICATIONS FOR EACH 300 PAIR BET:**



**Application**

The Porta Systems Series 28 eXtra Large BET (XLBET) is a customizable high density protection solution. It is designed to be installed on 23" relay racks with a minimum depth of 6". It can be configured to accommodate up to 1800-pair of protection and cross connection, or 2400-pair of protection only (without the cross connections) on a single 7 ft. tall rack.

Due to highly customizable nature of this product line, please contact customer service to configure a bill of materials correct for your application.

- Input Stubbing: Three, 100 pair, 25 foot, 26 AWG riser/plenum rated cables provides integrated fusible link
- Output: 110 Terminal Blocks (prewired to BET via RJ21 connectors)
- Construction: 16 gauge steel, durable finish
- The Series 28 XLBET utilizes industry standard 5-Pin Protector modules.



For more information contact:  
 6851 Jericho Turnpike, Suite 170  
 Syosset, NY 11791 USA  
 Tel. 1-516-364-9300 : Fx. 1.516.682.4636  
 sales@portasystems.com (Americas)  
 sales@portasystems.co.uk (Europe)